



Model: EWR06ED

Enhanced Duty Walk-In Oven

LEWCO Enhanced-Duty Batch Ovens are designed for critical applications, such as those in the advanced materials and aerospace industries. These models offer all of the same construction features as the Normal-Duty ovens; however the performance is "enhanced" by adding additional heat capacity and larger circulation fans. Enhanced-Duty ovens also guarantee a temperature uniformity of at least +/- 10°F. The EWR Series features a rear mounted heater box, which is ideal for installations with height restrictions. Each unit is fully assembled, wired, and tested prior to shipment. All LEWCO ovens are manufactured to meet the requirements of NFPA 86.

Operating Temperature

- 200°F - 650°F (93°C -343°C)

Heating Source & Capacity

- Electric, low watt density Incoloy® heaters provide years of trouble free service.
- Standard heater bank assemblies are installed in high velocity ductwork to maximize heat transfer.

Airflow Pattern

- Dual Airflow: Hot air is supplied from both of the side walls and returned through a top plenum.

General Construction

- 16 ga. aluminized steel interior
- 18 ga. cold rolled steel exterior
- Heat loss is minimized by a unique wall design featuring a welded inner shell and a completely isolated outer frame and covers.

Finish

- Blue or gray alkyd enamel
- Optional: Premium finish for corrosive environments

Doors

- Heavy-duty doors on an isolated door frame minimize heat loss. Wire core gaskets create a tight seal for efficient heating.
- Explosion venting latches
- Standard: Bi-parting swing doors
- Optional:
 - Vertical lift guillotine door
 - Door windows

Floor

- Standard: 12 ga. plate floor
- Optional:
 - 12 ga. plate floor with (1) pair inverted angle track
 - 12 ga. plate floor with (1) pair 6" wide wheel guides
 - Insulated (100 p.s.f. max.)
 - Insulated with (1) pair inverted angle track
 - Insulated with (1) pair 6" wide wheel guides
 - No floor

Input Voltage

- Standard 480/3/60
- Please consult factory for other available options.

Controls

- Single set-point temperature controller and redundant high-limit controller
- NEMA 12 enclosure with full voltage lockable disconnect switch
- Circulation fan(s) include air proving circuits that are electrically interlocked with the heating circuit.
- Controls are wired to NFPA 70 and 79 electrical standards, and meet the requirements of NFPA 86, Class B ovens.
- Optional:
 - Door Switch
 - Batch Timer
 - Ramp/ Soak controller
 - Data logger/ chart recorder
 - Zero speed switch for fans
 - Composite curing controls

Quality Assurance

- Each unit comes complete with a (1) year warranty and is fully assembled, wired, and tested prior to shipment.
- Unit manufactured under ISO 9001 Quality Certified System.



Industrial Batch Ovens

Model: EWR06ED

Model (NFPA Class B)	Overall Dimensions			Door Swing Radius	Workspace Dimensions			Heater Bank (kW)	Circulating Fan (CFM)	Motor (HP)	Air Changes per Minute	Exhaust Fan Capacity (CFM)	Exhaust Motor (HP)	Solvents per Batch (Gals.)	Ships Fully Assembled
	"W	"D	"H		"W	"D	"H								
EWR06ED-48-48-60	84	107	73	24"	48	48	60	45	2,000	1 1/2	25.00	N/A	N/A	0	Yes
EWR06ED-48-48-72	83	106	84	24"	48	48	72	54	2,500	2	26.04	N/A	N/A	0	Yes
EWR06ED-48-48-96	85	110	108	24"	48	48	96	63	3,500	3	27.34	N/A	N/A	0	Yes
EWR06ED-48-72-72	85	140	84	24"	48	72	72	63	4,000	3	27.78	N/A	N/A	0	Yes
EWR06ED-48-72-96	89	144	108	24"	48	72	96	72	5,000	3	26.04	N/A	N/A	0	Yes
EWR06ED-48-96-72	89	168	84	24"	48	96	72	72	5,000	3	26.04	N/A	N/A	0	Yes
EWR06ED-48-96-96	93	174	108	24"	48	96	96	81	7,000	5	27.34	N/A	N/A	0	Yes
EWR06ED-60-60-60	97	122	72	30"	60	60	60	54	3,500	3	28.00	N/A	N/A	0	Yes
EWR06ED-60-60-72	97	128	84	30"	60	60	72	63	4,000	3	26.67	N/A	N/A	0	Yes
EWR06ED-60-60-96	101	132	108	30"	60	60	96	72	5,000	3	25.00	N/A	N/A	0	Yes
EWR06ED-60-72-72	99	144	84	30"	60	72	72	63	4,500	3	25.00	N/A	N/A	0	Yes
EWR06ED-60-72-96	103	150	108	30"	60	72	96	81	6,000	3	25.00	N/A	N/A	0	Yes
EWR06ED-60-96-96	109	174	108	30"	60	96	96	90	8,000	5	25.00	N/A	N/A	0	Yes
EWR06ED-72-72-72	113	150	84	36"	72	72	72	72	5,500	3	25.46	N/A	N/A	0	Yes
EWR06ED-72-72-96	121	150	108	36"	72	72	96	81	8,000	5	27.78	N/A	N/A	0	Yes
EWR06ED-72-96-96	125	181	108	36"	72	96	96	99	10,000	7 1/2	26.04	N/A	N/A	0	Yes
EWR06ED-72-120-96	129	210	108	36"	72	120	96	108	12,000	7 1/2	25.00	N/A	N/A	0	Yes
EWR06ED-84-84-84	137	162	96	42"	84	84	84	90	9,000	7 1/2	26.24	N/A	N/A	0	Yes
EWR06ED-84-96-84	137	181	96	42"	84	96	84	99	10,000	7 1/2	25.51	N/A	N/A	0	Yes
EWR06ED-84-120-84	147	210	96	42"	84	120	84	108	14,000	10	28.57	N/A	N/A	0	Yes
EWR06ED-84-120-96	147	210	108	42"	84	120	96	117	14,000	10	25.00	N/A	N/A	0	Yes
EWR06ED-96-96-96	159	186	108	48"	96	96	96	117	14,000	10	27.34	N/A	N/A	0	Yes
EWR06ED-96-120-96	161	219	108	48"	96	120	96	144	16,000	10	25.00	N/A	N/A	0	Yes
EWR06ED-96-144-96	169	248	108	48"	96	144	96	162	20,000	15	26.04	N/A	N/A	0	Yes
EWR06ED-96-168-96	173	242	108	48"	96	168	96	180	24,000	15	26.79	N/A	N/A	0	Yes
EWR06ED-120-120-96	193	224	108	60"	120	120	96	162	20,000	15	25.00	N/A	N/A	0	Yes
EWR06ED-120-120-120	203	194	132	60"	120	120	120	180	26,000	15	26.00	N/A	N/A	0	Yes
EWR06ED-120-144-96	197	218	108	60"	120	144	96	180	24,000	15	25.00	N/A	N/A	0	Yes
EWR06ED-120-144-120	207	224	132	60"	120	144	120	207	30,000	20	25.00	N/A	N/A	0	Yes
EWR06ED-120-168-96	203	248	108	60"	120	168	96	198	28,000	15	25.00	N/A	N/A	0	Yes
EWR06ED-120-168-120	#N/A	#N/A	132	60"	120	168	120	225	40,000	20	28.57	N/A	N/A	0	Yes

NOTE: Sizes are approximate. LEWCO, Inc. reserves the right to change specifications without notice.

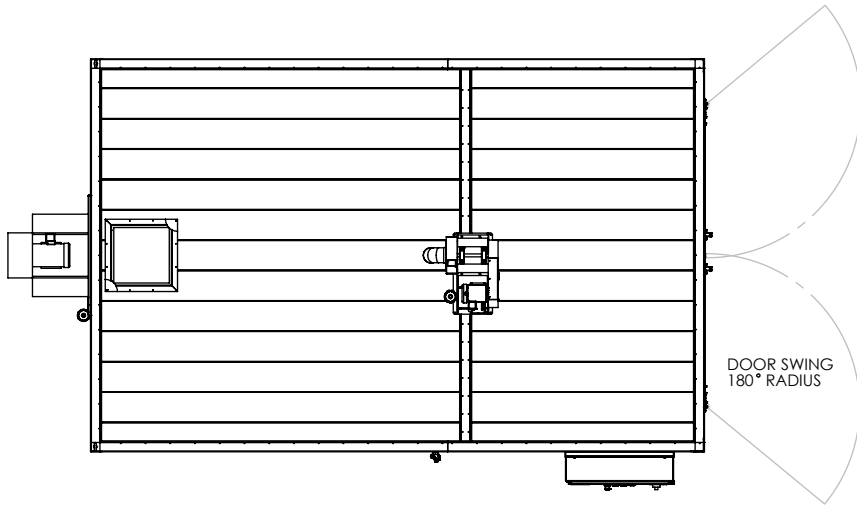


Industrial Batch Ovens

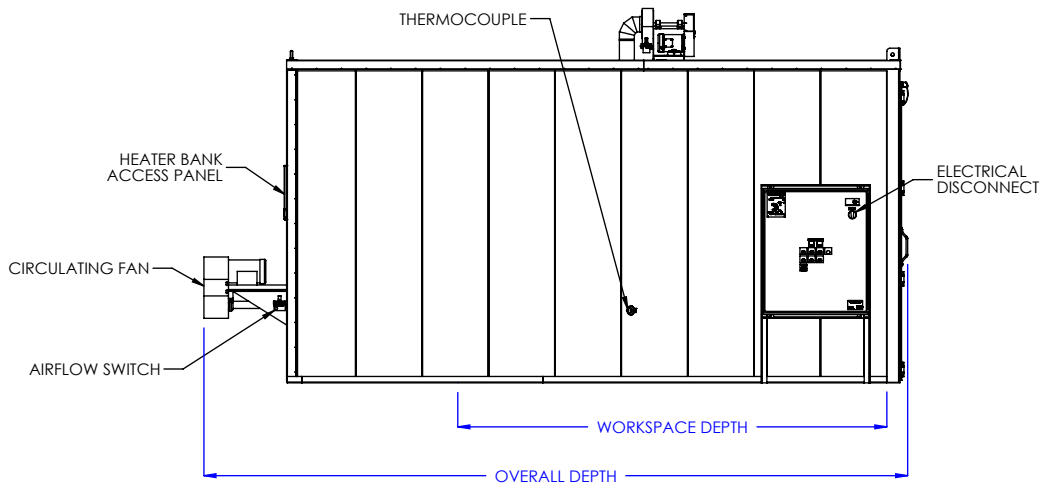
Model: EWR06ED

Model (NFPA Class A)	Overall Dimensions			Door Swing Radius	Workspace Dimensions			Heater Bank (kW)	Circulating Fan (CFM)	Motor (HP)	Air Changes per Minute	Exhaust Fan Capacity (CFM)	Exhaust Motor (HP)	Solvents per Batch (Gals.)	Ships Fully Assembled
	"W	"D	"H		"W	"D	"H								
EWR06ED-48-48-60	84	107	124	24"	48	48	60	54	2,000	1 1/2	25.00	62	1/4	0.04	Yes
EWR06ED-48-48-72	83	106	135	24"	48	48	72	63	2,500	2	26.04	62	1/4	0.04	Yes
EWR06ED-48-48-96	85	110	159	24"	48	48	96	72	3,500	3	27.34	62	1/4	0.04	No
EWR06ED-48-72-72	85	140	135	24"	48	72	72	72	4,000	3	27.78	62	1/4	0.04	Yes
EWR06ED-48-72-96	89	144	159	24"	48	72	96	81	5,000	3	26.04	62	1/4	0.04	No
EWR06ED-48-96-72	89	168	135	24"	48	96	72	81	5,000	3	26.04	62	1/4	0.04	Yes
EWR06ED-48-96-96	93	174	159	24"	48	96	96	90	7,000	5	27.34	62	1/4	0.04	No
EWR06ED-60-60-60	97	122	123	30"	60	60	60	63	3,500	3	28.00	62	1/4	0.04	Yes
EWR06ED-60-60-72	97	128	135	30"	60	60	72	72	4,000	3	26.67	62	1/4	0.04	Yes
EWR06ED-60-60-96	101	132	159	30"	60	60	96	81	5,000	3	25.00	62	1/4	0.04	No
EWR06ED-60-72-72	99	144	135	30"	60	72	72	72	4,500	3	25.00	62	1/4	0.04	Yes
EWR06ED-60-72-96	103	150	159	30"	60	72	96	90	6,000	3	25.00	62	1/4	0.04	No
EWR06ED-60-96-96	109	174	159	30"	60	96	96	117	8,000	5	25.00	100	1/4	0.07	No
EWR06ED-72-72-72	113	150	135	36"	72	72	72	62	5,500	3	25.46	62	1/4	0.04	Yes
EWR06ED-72-72-96	121	150	159	36"	72	72	96	90	8,000	5	27.78	62	1/4	0.04	No
EWR06ED-72-96-96	125	181	159	36"	72	96	96	117	10,000	7 1/2	26.04	100	1/4	0.07	No
EWR06ED-72-120-96	129	210	159	36"	72	120	96	153	12,000	7 1/2	25.00	100	1/4	0.07	No
EWR06ED-84-84-84	137	162	147	42"	84	84	84	117	9,000	7 1/2	26.24	100	1/4	0.07	No
EWR06ED-84-96-84	137	181	147	42"	84	96	84	117	10,000	7 1/2	25.51	100	1/4	0.07	No
EWR06ED-84-120-84	147	210	147	42"	84	120	84	180	14,000	10	28.57	250	1/4	0.18	No
EWR06ED-84-120-96	147	210	159	42"	84	120	96	180	14,000	10	25.00	250	1/4	0.18	No
EWR06ED-96-96-96	159	186	159	48"	96	96	96	180	14,000	10	27.34	250	1/4	0.18	No
EWR06ED-96-120-96	161	219	159	48"	96	120	96	189	16,000	10	25.00	250	1/4	0.18	No
EWR06ED-96-144-96	169	248	159	48"	96	144	96	207	20,000	15	26.04	250	1/4	0.18	No
EWR06ED-96-168-96	173	242	159	48"	96	168	96	225	24,000	15	26.79	250	1/4	0.18	No
EWR06ED-120-120-96	193	224	159	60"	120	120	96	207	20,000	15	25.00	250	1/4	0.18	No
EWR06ED-120-120-120	203	194	183	60"	120	120	120	234	26,000	15	26.00	250	1/4	0.18	No
EWR06ED-120-144-96	197	218	159	60"	120	144	96	225	24,000	15	25.00	250	1/4	0.18	No
EWR06ED-120-144-120	207	224	183	60"	120	144	120	261	30,000	20	25.00	250	1/4	0.18	No
EWR06ED-120-168-96	203	248	159	60"	120	168	96	261	28,000	15	25.00	250	1/4	0.18	No

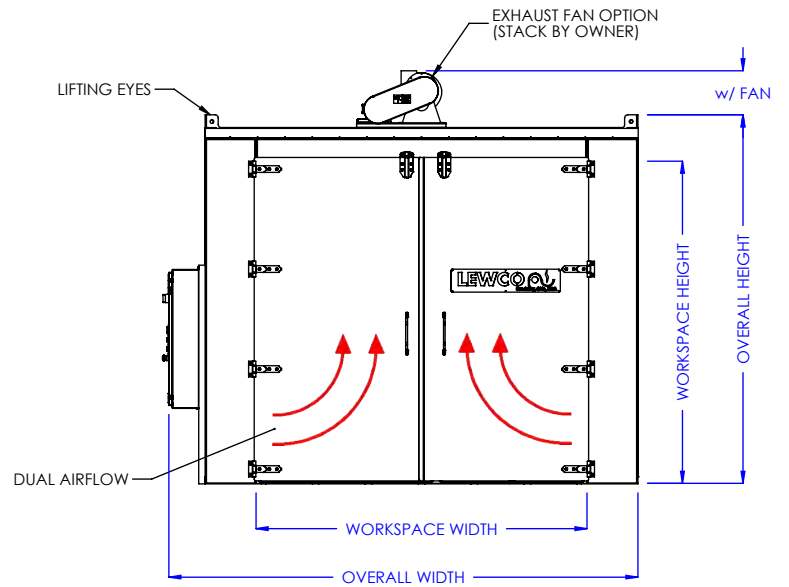
NOTE: Sizes are approximate. LEWCO, Inc. reserves the right to change specifications without notice.



PLAN VIEW



LEFT SIDE ELEVATION



FRONT ELEVATION

MODEL: EWR06ED

DESCRIPTION: ENHANCED DUTY WALK-IN OVEN, REAR MOUNT HEATER,
650° F, ELECTRIC, DUAL AIRFLOW

WARNING: OVENS PROCESSING FLAMMABLE
VOLATILES OR COMBUSTIBLE MATERIALS ARE
CLASSIFIED BY NFPA 86 AS "CLASS A" OVENS
AND REQUIRE SPECIFIC SAFETY FEATURES.
KNOW THE PROPERTIES OF THE MATERIALS
BEING HEATED. EXPLOSION OR FIRE MAY
RESULT FROM MISAPPLICATION.

LEWCO, INC. IS COMMITTED TO CONTINUOUS
IMPROVEMENT AND RESERVES THE RIGHT TO CHANGE
DESIGNS AND SPECIFICATIONS WITHOUT NOTICE.

THIS DRAWING MUST NOT BE COPIED, REPRODUCED
OR USED FOR ANY PURPOSE WITHOUT THE WRITTEN
CONSENT OF LEWCO, INC. ALL RIGHTS RESERVED.

DATE: 10/9/2017

REV. 001

PAGE: 1 of 1

LEWCO

706 LANE ST. SANDUSKY, OH 44870, U.S.A.