



Model: EWT06FD

Enhanced Duty Walk-In Oven

LEWCO Enhanced-Duty Batch Ovens are designed for critical applications, such as those in the advanced materials and aerospace industries. These models offer all of the same construction features as the Normal-Duty ovens; however the performance is "enhanced" by adding additional heat capacity and larger circulation fans. Enhanced-Duty ovens also guarantee a temperature uniformity of at least +/- 10°F. The EWT series features a top mounted heater box, which creates a smaller footprint and permits pass-through processing with optional rear doors. Each unit is fully assembled, wired, and tested prior to shipment. All LEWCO ovens are manufactured to meet the requirements of NFPA 86.

Operating Temperature

- 200°F -6 50°F (93°C -343°C)

Heating Source & Capacity

- Direct fired natural gas, modulating burner with direct coupled, digital actuated control valve provides visual indication of valve position.
- High turndown ratio allows rapid heat-up and tight temperature control
- Low CO and NOX emissions
- F.M. compliant fuel train

Airflow Pattern

- Dual Airflow: Hot air is supplied from both of the side walls and returned through a top plenum.

General Construction

- 16 ga. aluminized steel interior
- 18 ga. cold rolled steel exterior
- Heat loss is minimized by a unique wall design featuring a welded inner shell and a completely isolated outer frame and covers.

Finish

- Blue or gray alkyd enamel
- Optional: Premium finish for corrosive environments

Doors

- Heavy-duty doors on an isolated door frame minimize heat loss. Wire core gaskets create a tight seal for efficient heating.
- Explosion venting latches
- Standard: Bi-parting swing doors
- Optional:
 - Vertical lift guillotine door
 - Door windows

Floor

- Standard: 12 ga. plate floor
- Optional:
 - 12 ga. plate floor with (1) pair inverted angle track
 - 12 ga. plate floor with (1) pair 6" wide wheel guides
 - Insulated (100 p.s.f. max.)
 - Insulated with (1) pair inverted angle track
 - Insulated with (1) pair 6" wide wheel guides
 - No floor

Input Voltage

- Standard 480/3/60
- Please consult factory for other available options.

Controls

- Single set-point temperature controller and redundant high-limit controller
- NEMA 12 enclosure with full voltage lockable disconnect switch
- Circulation fan(s) include air proving circuits that are electrically interlocked with the heating circuit.
- Controls are wired to NFPA 70 and 79 electrical standards, and meet the requirements of NFPA 86, Class B ovens.
- Optional:
 - Door Switch
 - Batch Timer
 - Ramp/ Soak controller
 - Data logger/ chart recorder
 - Zero speed switch for fans
 - Composite curing controls

Quality Assurance

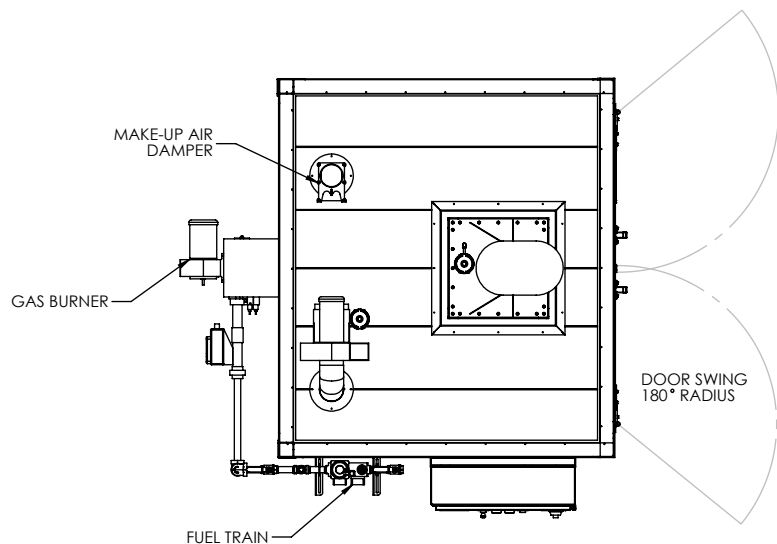
- Each unit comes complete with a (1) year warranty and is fully assembled, wired, and tested prior to shipment.
- Unit manufactured under ISO 9001 Quality Certified System.

Model (NFPA Class B)	Overall Dimensions			Door Swing Radius	Workspace Dimensions			Workspace Volume (cubic ft.)	Burner (BTU/Hr)	Circulating Fan(s) (CFM)	Motor(s) (HP)	Air Changes per Minute	Exhaust Fan Capacity (CFM)	Exhaust Motor (HP)	Solvents per Batch (Gals.)	Ships Fully Assembled
	"W	"D	"H		"W	"D	"H									
EWT06FD-48-48-60*	79	60	118	34"	48	48	60	80	200,000	3,500	3	43.75	250	1/4	0	Yes
EWT06FD-48-48-72*	79	60	130	34"	48	48	72	96	200,000	4,000	3	41.67	250	1/4	0	Yes
EWT06FD-48-48-96	79	60	159	34"	48	48	96	128	200,000	5,500	3	42.97	250	1/4	0	No
EWT06FD-60-60-60*	91	72	123	40"	60	60	60	125	200,000	5,000	3	40.00	250	1/4	0	Yes
EWT06FD-60-60-72*	91	72	141	40"	60	60	72	150	200,000	6,000	3	40.00	250	1/4	0	Yes
EWT06FD-60-60-96	93	72	166	40"	60	60	96	200	400,000	8,000	5	40.00	250	1/4	0	No
EWT06FD-72-72-72*	105	84	149	46"	72	72	72	216	400,000	9,000	7 1/2	41.67	250	1/4	0	No
EWT06FD-72-72-96	109	84	175	46"	72	72	96	288	400,000	12,000	7 1/2	41.67	250	1/4	0	No
EWT06FD-72-120-96	113	132	186	46"	72	120	96	480	400,000	20,000	15	41.67	250	1/4	0	No
EWT06FD-84-84-84	123	96	164	52"	84	84	84	343	400,000	14,000	10	40.82	250	1/4	0	No
EWT06FD-84-96-84	123	108	168	52"	84	96	84	392	400,000	16,000	10	40.82	250	1/4	0	No
EWT06FD-84-120-84	127	132	175	52"	84	120	84	490	700,000	20,000	10	40.82	500	1	0	No
EWT06FD-84-120-96	127	132	187	52"	84	120	96	560	700,000	24,000	15	42.86	500	1	0	No
EWT06FD-96-96-96	139	108	187	58"	96	96	96	512	700,000	22,000	15	42.97	500	1	0	No
EWT06FD-96-120-96	141	132	193	58"	96	120	96	640	700,000	26,000	15	40.63	500	1	0	No
EWT06FD-96-144-96	145	156	201	58"	96	144	96	768	700,000	16,000(x2)	10(x2)	41.67	500	1	0	No
EWT06FD-96-168-96	147	180	207	58"	96	168	96	896	700,000	18,000(x2)	15(x2)	40.17	500	1	0	No
EWT06FD-96-192-96	149	204	208	58"	96	192	96	1,024	700,000	22,000(x2)	15(x2)	42.96	500	1	0	No
EWT06FD-96-240-96	151	252	216	58"	96	240	96	1,280	1,000,000	26,000(x2)	15(x2)	40.63	750	1	0	No
EWT06FD-120-120-96	169	132	201	70"	120	120	96	800	700,000	16,000(x2)	10(x2)	40.00	500	1	0	No
EWT06FD-120-120-120	173	132	232	70"	120	120	120	1,000	700,000	20,000(x2)	15(x2)	40.00	500	1	0	No
EWT06FD-120-144-96	171	156	207	70"	120	144	96	960	700,000	20,000(x2)	15(x2)	41.67	500	1	0	No
EWT06FD-120-144-120	175	156	240	70"	120	144	120	1,200	1,000,000	24,000(x2)	15(x2)	40.00	750	1	0	No
EWT06FD-120-168-96	173	180	215	70"	120	168	96	1,120	1,000,000	24,000(x2)	15(x2)	42.85	750	1	0	No
EWT06FD-120-168-120	183	180	252	70"	120	168	120	1,400	1,000,000	28,000(x2)	15(x2)	40.00	750	1	0	No
EWT06FD-120-192-96	175	204	216	70"	120	192	96	1,280	1,000,000	26,000(x2)	15(x2)	40.63	750	1	0	No

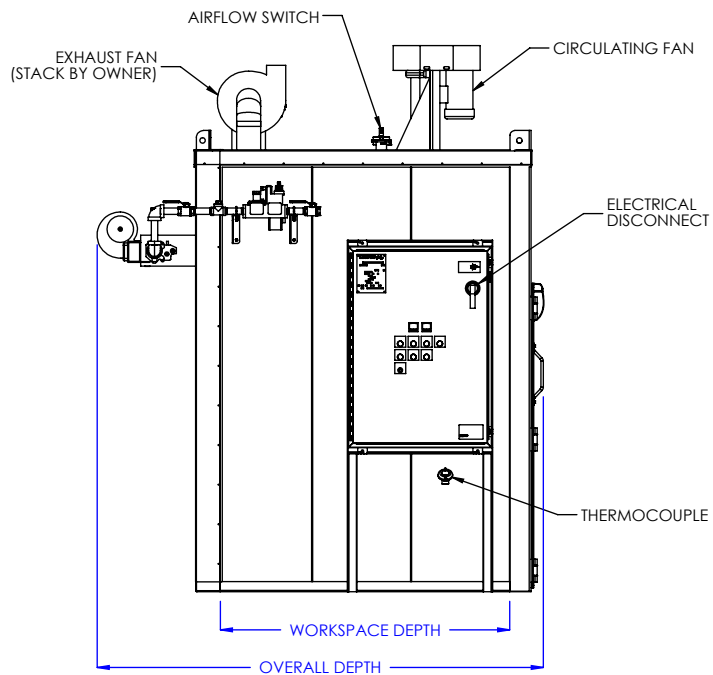
* Indicates Configuration Style #1. Refer to drawings on page 4 of 5

Model (NFPA Class A)	Overall Dimensions			Door Swing Radius	Workspace Dimensions			Workspace Volume (cubic ft.)	Burner (BTU/Hr)	Circulating Fan(s) (CFM)	Motor(s) (HP)	Air Changes per Minute	Exhaust Fan Capacity (CFM)	Exhaust Motor (HP)	Solvents per Batch (Gals.)	Ships Fully Assembled
	"W	"D	"H		"W	"D	"H									
EWT06FD-48-48-60*	79	60	118	34"	48	48	60	80	200,000	3,500	3	43.75	250	1 1/4	0.04	Yes
EWT06FD-48-48-72*	79	60	130	34"	48	48	72	96	200,000	4,000	3	41.67	250	1 1/4	0.04	Yes
EWT06FD-48-48-96	79	60	159	34"	48	48	96	128	200,000	5,500	3	42.97	250	1 1/4	0.04	No
EWT06FD-60-60-60*	91	72	123	40"	60	60	60	125	200,000	5,000	3	40.00	250	1 1/4	0.04	Yes
EWT06FD-60-60-72*	91	72	141	40"	60	60	72	150	200,000	6,000	3	40.00	250	1 1/4	0.04	Yes
EWT06FD-60-60-96	93	72	166	40"	60	60	96	200	400,000	8,000	5	40.00	500	1	0.04	No
EWT06FD-72-72-72*	105	84	149	46"	72	72	72	216	400,000	9,000	7 1/2	41.67	500	1	0.04	No
EWT06FD-72-72-96	109	84	175	46"	72	72	96	288	400,000	12,000	7 1/2	41.67	500	1	0.04	No
EWT06FD-72-120-96	113	132	186	46"	72	120	96	480	400,000	20,000	15	41.67	500	1	0.07	No
EWT06FD-84-84-84	123	96	164	52"	84	84	84	343	400,000	14,000	10	40.82	500	1	0.07	No
EWT06FD-84-96-84	123	108	168	52"	84	96	84	392	400,000	16,000	10	40.82	500	1	0.07	No
EWT06FD-84-120-84	127	132	175	52"	84	120	84	490	700,000	20,000	10	40.82	750	1	0.18	No
EWT06FD-84-120-96	127	132	187	52"	84	120	96	560	700,000	24,000	15	42.86	750	1	0.18	No
EWT06FD-96-96-96	139	108	187	58"	96	96	96	512	700,000	22,000	15	42.97	750	1	0.18	No
EWT06FD-96-120-96	141	132	193	58"	96	120	96	640	700,000	26,000	15	40.63	750	1	0.18	No
EWT06FD-96-144-96	145	156	201	58"	96	144	96	768	700,000	16,000(x2)	10(x2)	41.67	750	1	0.18	No
EWT06FD-120-120-96	169	132	201	70"	120	120	96	800	700,000	18,000(x2)	15(x2)	40.17	750	1	0.18	No
EWT06FD-120-120-120	173	132	232	70"	120	120	120	1,000	700,000	20,000(x2)	15(x2)	40.00	750	1	0.18	No
EWT06FD-120-144-96	171	156	207	70"	120	144	96	960	700,000	20,000(x2)	15(x2)	41.67	750	1	0.18	No
EWT06FD-120-144-120	175	156	163	70"	120	144	120	1,200	1,000,000	24,000(x2)	15(x2)	40.00	1,000	1 1/2	0.18	No
EWT06FD-120-168-96	173	180	215	70"	120	168	96	1,120	1,000,000	24,000(x2)	15(x2)	42.85	1,000	1 1/2	0.18	No
EWT06FD-120-168-120	183	180	252	70"	120	168	120	1,400	1,000,000	28,000(x2)	15(x2)	40.00	1,500	2	0.37	No
	175	204	216	70"	120	192	96	1,280	1,000,000	26,000(x2)	15(x2)	40.63	1,500	2	0.37	No

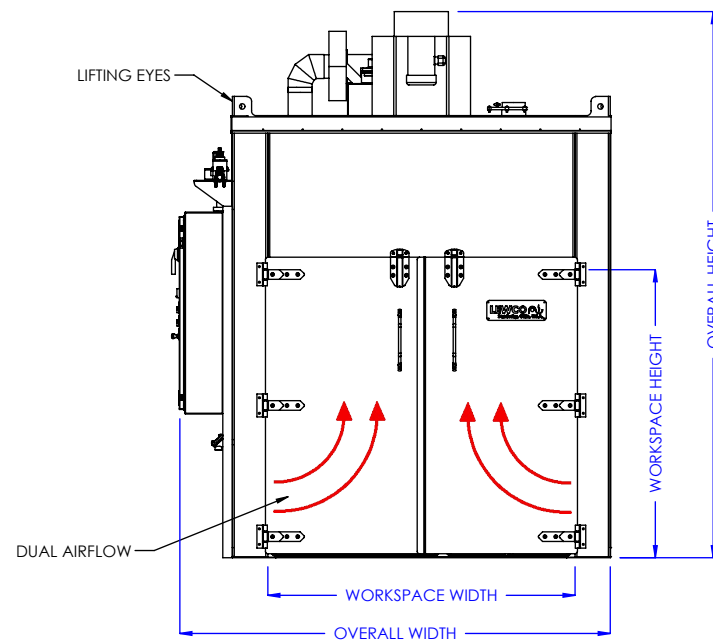
* Indicates Configuration Style #1. Refer to drawings on page 4 of 5



PLAN VIEW



LEFT SIDE ELEVATION



FRONT ELEVATION

MODEL: EWT06FD

DESCRIPTION: ENHANCED DUTY WALK-IN OVEN, TOP MOUNT HEATER, 650°F, FUEL-FIRED, DUAL AIRFLOW

WARNING: OVENS PROCESSING FLAMMABLE VOLATILES OR COMBUSTIBLE MATERIALS ARE CLASSIFIED BY NFPA 86 AS "CLASS A" OVENS AND REQUIRE SPECIFIC SAFETY FEATURES. KNOW THE PROPERTIES OF THE MATERIALS BEING HEATED. EXPLOSION OR FIRE MAY RESULT FROM MISAPPLICATION.

LEWCO, INC. IS COMMITTED TO CONTINUOUS IMPROVEMENT AND RESERVES THE RIGHT TO CHANGE DESIGNS AND SPECIFICATIONS WITHOUT NOTICE.

THIS DRAWING MUST NOT BE COPIED, REPRODUCED OR USED FOR ANY PURPOSE WITHOUT THE WRITTEN CONSENT OF LEWCO, INC. ALL RIGHTS RESERVED.

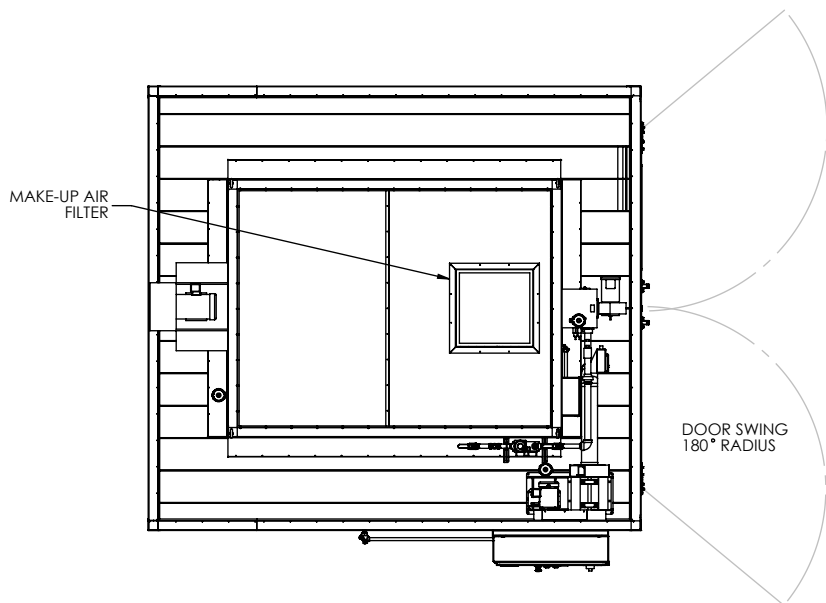
DATE: 10/11/2017

REV. 001

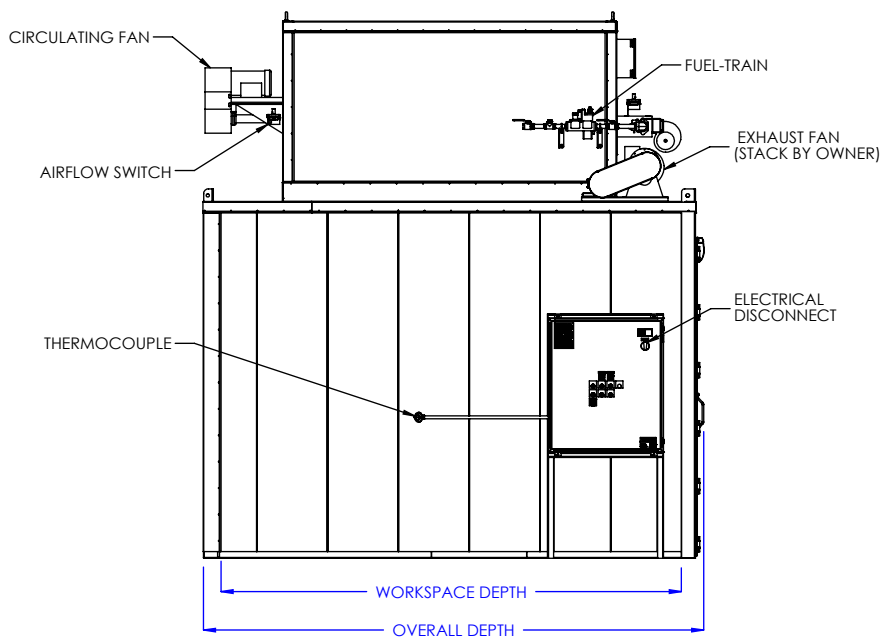
PAGE: 4 of 5



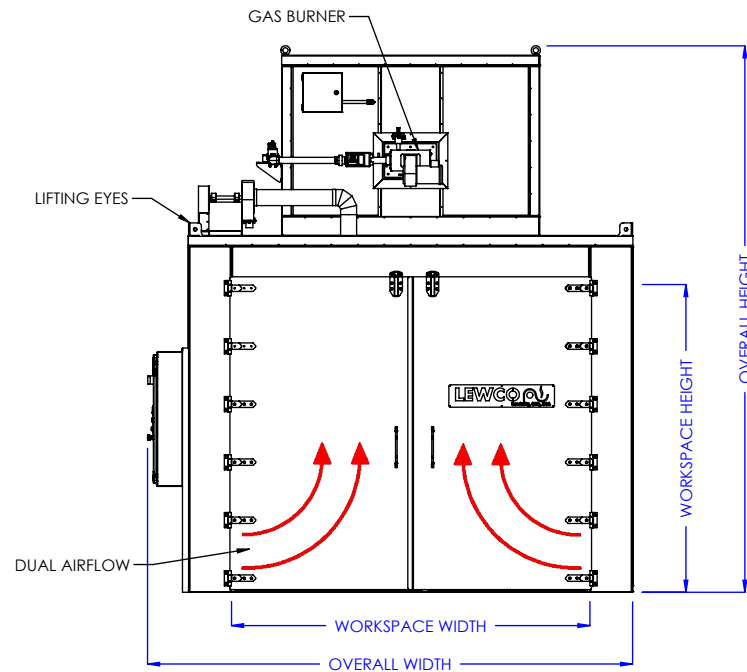
706 LANE ST. SANDUSKY, OH 44870, U.S.A.



PLAN VIEW



LEFT SIDE ELEVATION



FRONT ELEVATION

MODEL: EWT06FD

DESCRIPTION: ENHANCED DUTY WALK-IN OVEN, TOP MOUNT HEATER, 650°F, FUEL-FIRED, DUAL AIRFLOW

WARNING: OVENS PROCESSING FLAMMABLE VOLATILES OR COMBUSTIBLE MATERIALS ARE CLASSIFIED BY NFPA 86 AS "CLASS A" OVENS AND REQUIRE SPECIFIC SAFETY FEATURES. KNOW THE PROPERTIES OF THE MATERIALS BEING HEATED. EXPLOSION OR FIRE MAY RESULT FROM MISAPPLICATION.

LEWCO, INC. IS COMMITTED TO CONTINUOUS IMPROVEMENT AND RESERVES THE RIGHT TO CHANGE DESIGNS AND SPECIFICATIONS WITHOUT NOTICE.

THIS DRAWING MUST NOT BE COPIED, REPRODUCED OR USED FOR ANY PURPOSE WITHOUT THE WRITTEN CONSENT OF LEWCO, INC. ALL RIGHTS RESERVED.

DATE: 7/6/2017

REV. 001

PAGE: 5 of 5



706 LANE ST. SANDUSKY, OH 44870, U.S.A.