



Model: EWT06ED

Enhanced Duty Walk-In Oven

LEWCO Enhanced-Duty Batch Ovens are designed for critical applications, such as those in the advanced materials and aerospace industries. These models offer all of the same construction features as the Normal-Duty ovens; however the performance is "enhanced" by adding additional heat capacity and larger circulation fans. Enhanced-Duty ovens also guarantee a temperature uniformity of at least +/- 10°F. The EWT series features a top mounted heater box, which creates a smaller footprint and permits pass-through processing with optional rear doors. Each unit is fully assembled, wired, and tested prior to shipment. All LEWCO ovens are manufactured to meet the requirements of NFPA 86.

Operating Temperature

- 150°F - 650°F (66°C -343°C)

Heating Source & Capacity

- Electric, low watt density Incoloy® heaters provide years of trouble free service.
- Standard heater bank assemblies are installed in high velocity ductwork to maximize heat transfer.

Airflow Pattern

- Dual Airflow: Hot air is supplied from both of the side walls and returned through a top plenum.

General Construction

- 16 ga. aluminized steel interior
- 18 ga. cold rolled steel exterior
- Heat loss is minimized by a unique wall design featuring a welded inner shell and a completely isolated outer frame and covers.

Finish

- Blue or gray alkyd enamel
- Optional: Premium finish for corrosive environments

Doors

- Heavy-duty doors on an isolated door frame minimize heat loss. Wire core gaskets create a tight seal for efficient heating.
- Explosion venting latches
- Standard: Bi-parting swing doors
- Optional:
 - Vertical lift guillotine door
 - Door windows

Floor

- Standard: 12 ga. plate floor
- Optional:
 - 12 ga. plate floor with (1) pair inverted angle track
 - 12 ga. plate floor with (1) pair 6" wide wheel guides
 - Insulated (100 p.s.f. max.)
 - Insulated with (1) pair inverted angle track
 - Insulated with (1) pair 6" wide wheel guides
 - No floor

Input Voltage

- Standard 480/3/60
- Please consult factory for other available options.

Controls

- Single set-point temperature controller and redundant high-limit controller
- NEMA 12 enclosure with full voltage lockable disconnect switch
- Circulation fan(s) include air proving circuits that are electrically interlocked with the heating circuit.
- Controls are wired to NFPA 70 and 79 electrical standards, and meet the requirements of NFPA 86, Class B ovens.
- Optional:
 - Door Switch
 - Batch Timer
 - Ramp/ Soak controller
 - Data logger/ chart recorder
 - Zero speed switch for fans
 - Composite curing controls

Quality Assurance

- Each unit comes complete with a (1) year warranty and is fully assembled, wired, and tested prior to shipment.
- Unit manufactured under ISO 9001 Quality Certified System.

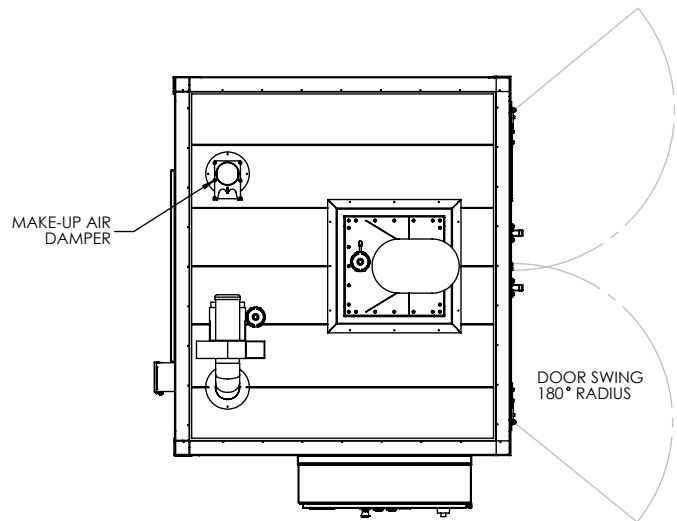
Model (NFPA Class B)	Overall Dimensions			Door Swing Radius	Workspace Dimensions			Workspace Volume (cubic ft.)	Heater Bank (kW)	Circulating Fan(s) (CFM)	Motor(s) (HP)	Air Changes per Minute	Exhaust Fan Capacity (CFM)	Exhaust Motor (HP)	Solvents per Batch (Gals.)	Ships Fully Assembled
	"W	"D	"H		"W	"D	"H									
EWT06ED-48-48-60*	79	60	91	34"	48	48	60	80	45	3,500	3	43.75	N/A	N/A	0	Yes
EWT06ED-48-48-72*	79	60	103	34"	48	48	72	96	54	4,000	3	41.67	N/A	N/A	0	Yes
EWT06ED-48-48-96*	79	60	132	34"	48	48	96	128	63	5,500	3	42.97	N/A	N/A	0	Yes
EWT06ED-60-60-60*	91	72	96	40"	60	60	60	125	54	5,000	3	40.00	N/A	N/A	0	Yes
EWT06ED-60-60-72*	91	72	114	40"	60	60	72	150	63	6,000	3	40.00	N/A	N/A	0	Yes
EWT06ED-60-60-96	93	72	139	40"	60	60	96	200	72	8,000	5	40.00	N/A	N/A	0	Yes
EWT06ED-72-72-72*	105	84	122	46"	72	72	72	216	72	9,000	7 1/2	41.67	N/A	N/A	0	Yes
EWT06ED-72-72-96	109	84	148	46"	72	72	96	288	81	12,000	7 1/2	41.67	N/A	N/A	0	No
EWT06ED-72-120-96	113	132	159	46"	72	120	96	480	108	20,000	15	41.67	N/A	N/A	0	No
EWT06ED-84-84-84	123	96	137	52"	84	84	84	343	90	14,000	10	40.82	N/A	N/A	0	Yes
EWT06ED-84-96-84	123	108	141	52"	84	96	84	392	99	16,000	10	40.82	N/A	N/A	0	Yes
EWT06ED-84-120-84	127	132	148	52"	84	120	84	490	108	20,000	10	40.82	N/A	N/A	0	No
EWT06ED-84-120-96	127	132	160	52"	84	120	96	560	117	24,000	15	42.86	N/A	N/A	0	No
EWT06ED-96-96-96	139	108	160	58"	96	96	96	512	117	22,000	15	42.97	N/A	N/A	0	No
EWT06ED-96-120-96	141	132	166	58"	96	120	96	640	144	26,000	15	40.63	N/A	N/A	0	No
EWT06ED-96-144-96	145	156	174	58"	96	144	96	768	162	16,000(x2)	10(x2)	41.67	N/A	N/A	0	No
EWT06ED-96-168-96	147	180	180	58"	96	168	96	896	180	18,000(x2)	15(x2)	40.17	N/A	N/A	0	No
EWT06ED-96-192-96	149	204	181	58"	96	192	96	1,024	189	22,000(x2)	15(x2)	42.96	N/A	N/A	0	No
EWT06ED-96-240-96	151	252	189	58"	96	240	96	1,280	225	26,000(x2)	15(x2)	40.63	N/A	N/A	0	No
EWT06ED-120-120-96	169	132	174	70"	120	120	96	800	162	16,000(x2)	10(x2)	40.00	N/A	N/A	0	No
EWT06ED-120-120-120	173	132	205	70"	120	120	120	1,000	180	20,000(x2)	15(x2)	40.00	N/A	N/A	0	No
EWT06ED-120-144-96	171	156	180	70"	120	144	96	960	180	20,000(x2)	15(x2)	41.67	N/A	N/A	0	No
EWT06ED-120-144-120	175	156	213	70"	120	144	120	1,200	207	24,000(x2)	15(x2)	40.00	N/A	N/A	0	No
EWT06ED-120-168-96	173	180	188	70"	120	168	96	1,120	198	24,000(x2)	15(x2)	42.85	N/A	N/A	0	No
EWT06ED-120-168-120	183	180	225	70"	120	168	120	1,400	225	28,000(x2)	15(x2)	40.00	N/A	N/A	0	No
EWT06ED-120-192-96	175	204	189	70"	120	192	96	1,280	225	26,000(x2)	15(x2)	40.63	N/A	N/A	0	No

* Indicates Configuration Style #1. Refer to drawings on page 4 of 5

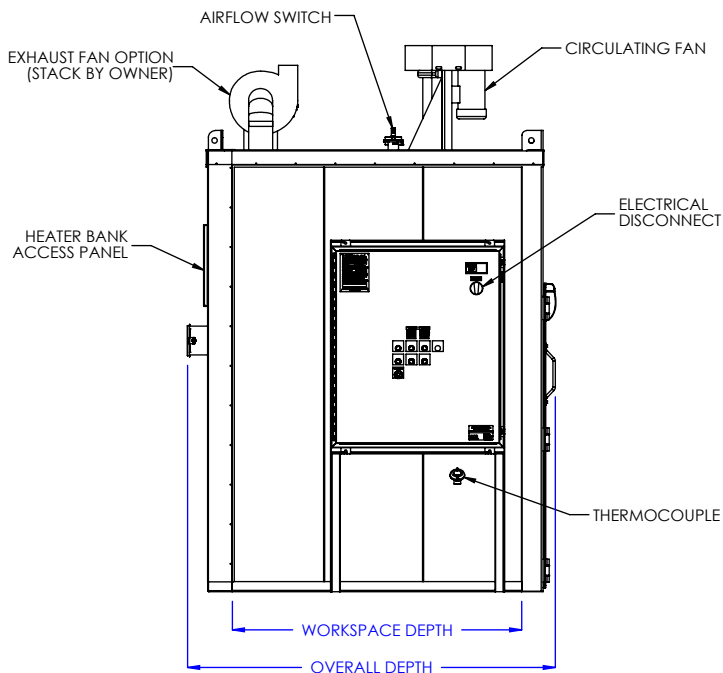
NOTE: Sizes are approximate. LEWCO, Inc. reserves the right to change specifications without notice.

Model (NFPA Class A)	Overall Dimensions			Door Swing Radius	Workspace Dimensions			Workspace Volume (cubic ft.)	Heater Bank (kW)	Circulating Fan(s) (CFM)	Motor(s) (HP)	Air Changes per Minute	Exhaust Fan Capacity (CFM)	Exhaust Motor (HP)	Solvents per Batch (Gals.)	Ships Fully Assembled
	"W	"D	"H		"W	"D	"H									
EWT06ED-48-48-60*	79	60	118	34"	48	48	60	80	54	3,500	3	43.75	62	1/4	0.04	Yes
EWT06ED-48-48-72*	79	60	130	34"	48	48	72	96	63	4,000	3	41.67	62	1/4	0.04	Yes
EWT06ED-48-48-96	79	60	159	34"	48	48	96	128	72	5,500	3	42.97	62	1/4	0.04	No
EWT06ED-60-60-60*	91	72	123	40"	60	60	60	125	63	5,000	3	40.00	62	1/4	0.04	Yes
EWT06ED-60-60-72*	91	72	141	40"	60	60	72	150	72	6,000	3	40.00	62	1/4	0.04	Yes
EWT06ED-60-60-96	93	72	166	40"	60	60	96	200	81	8,000	5	40.00	62	1/4	0.04	No
EWT06ED-72-72-72*	105	84	149	46"	72	72	72	216	81	9,000	7 1/2	41.67	62	1/4	0.04	No
EWT06ED-72-72-96	109	84	175	46"	72	72	96	288	90	12,000	7 1/2	41.67	62	1/4	0.04	No
EWT06ED-72-120-96	113	132	186	46"	72	120	96	480	153	20,000	15	41.67	100	1/4	0.07	No
EWT06ED-84-84-84	123	96	164	52"	84	84	84	343	117	14,000	10	40.82	100	1/4	0.07	No
EWT06ED-84-96-84	123	108	168	52"	84	96	84	392	117	16,000	10	40.82	100	1/4	0.07	No
EWT06ED-84-120-84	127	132	175	52"	84	120	84	490	180	20,000	10	40.82	250	1/4	0.18	No
EWT06ED-84-120-96	127	132	187	52"	84	120	96	560	180	24,000	15	42.86	250	1/4	0.18	No
EWT06ED-96-96-96	139	108	187	58"	96	96	96	512	180	22,000	15	42.97	250	1/4	0.18	No
EWT06ED-96-120-96	141	132	193	58"	96	120	96	640	189	26,000	15	40.63	250	1/4	0.18	No
EWT06ED-96-144-96	145	156	201	58"	96	144	96	768	207	16,000(x2)	10(x2)	41.67	250	1/4	0.18	No
EWT06ED-120-120-96	169	132	201	70"	120	120	96	800	207	18,000(x2)	15(x2)	40.17	250	1/4	0.18	No
EWT06ED-120-120-120	173	132	232	70"	120	120	120	1,000	234	20,000(x2)	15(x2)	40.00	250	1/4	0.18	No
EWT06ED-120-144-96	171	156	207	70"	120	144	96	960	225	20,000(x2)	15(x2)	41.67	250	1/4	0.18	No
EWT06ED-120-144-120	175	156	163	70"	120	144	120	1,200	261	24,000(x2)	15(x2)	40.00	250	1/4	0.18	No
EWT06ED-120-168-96	173	180	215	70"	120	168	96	1,120	261	24,000(x2)	15(x2)	42.85	250	1/4	0.18	No
EWT06ED-120-192-96	175	204	215	70"	120	192	96	1,280	288	26,000(x2)	15(x2)	40.63	500	1	0.37	No

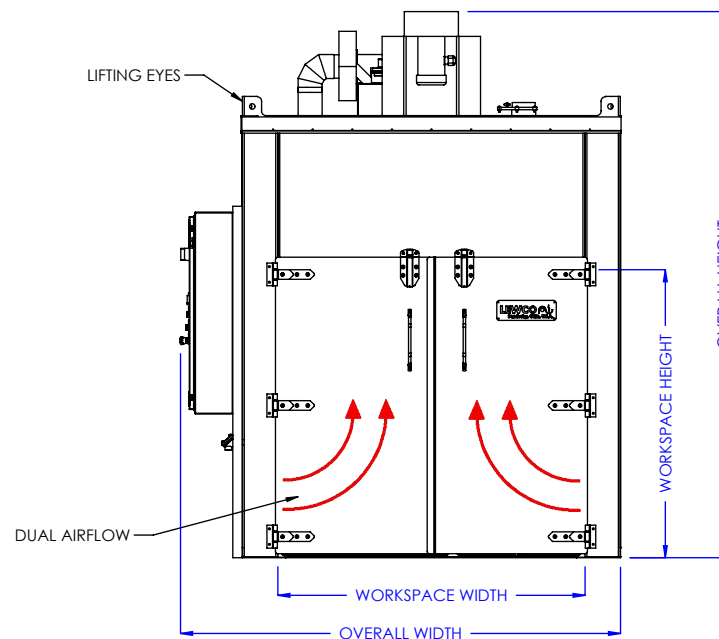
* Indicates Configuration Style #1. Refer to drawings on page 4 of 5



PLAN VIEW



LEFT SIDE ELEVATION



FRONT ELEVATION

MODEL: EWT06ED

DESCRIPTION: ENHANCED DUTY WALK-IN OVEN, TOP MOUNT HEATER, 650°F, ELECTRIC, DUAL AIRFLOW

WARNING: OVENS PROCESSING FLAMMABLE VOLATILES OR COMBUSTIBLE MATERIALS ARE CLASSIFIED BY NFPA 86 AS "CLASS A" OVENS AND REQUIRE SPECIFIC SAFETY FEATURES. KNOW THE PROPERTIES OF THE MATERIALS BEING HEATED. EXPLOSION OR FIRE MAY RESULT FROM MISAPPLICATION.

LEWCO, INC. IS COMMITTED TO CONTINUOUS IMPROVEMENT AND RESERVES THE RIGHT TO CHANGE DESIGNS AND SPECIFICATIONS WITHOUT NOTICE.

THIS DRAWING MUST NOT BE COPIED, REPRODUCED OR USED FOR ANY PURPOSE WITHOUT THE WRITTEN CONSENT OF LEWCO, INC. ALL RIGHTS RESERVED.

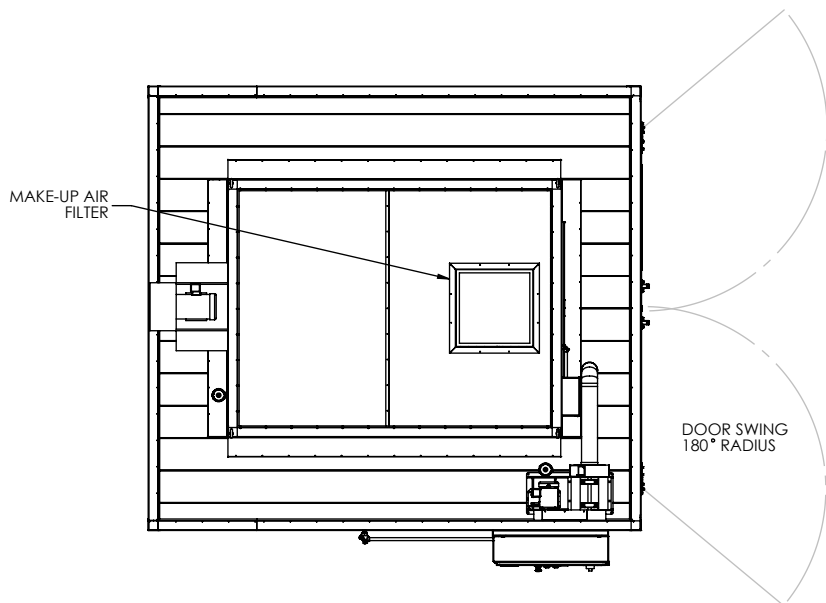
DATE: 7/5/2017

REV. 001

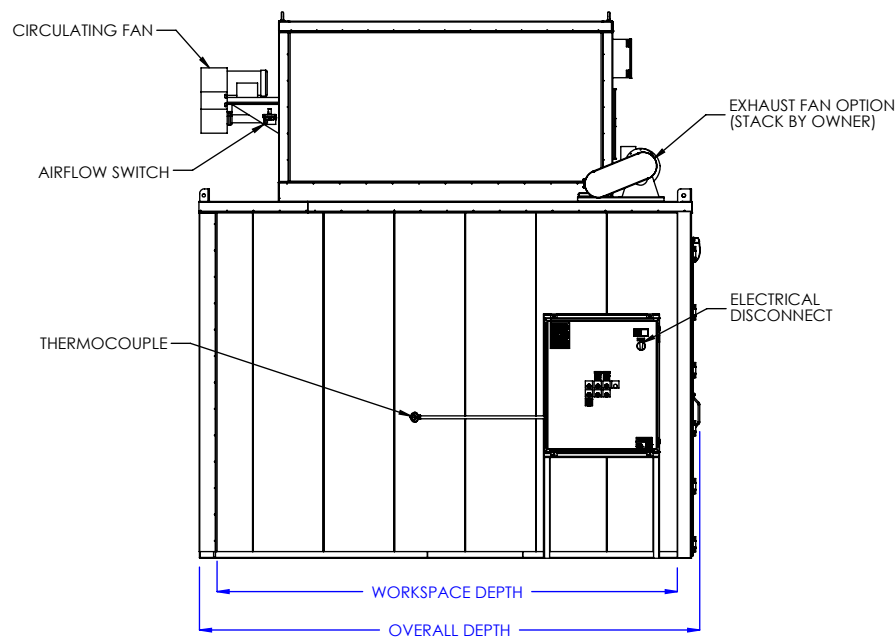
PAGE: 4 of 5



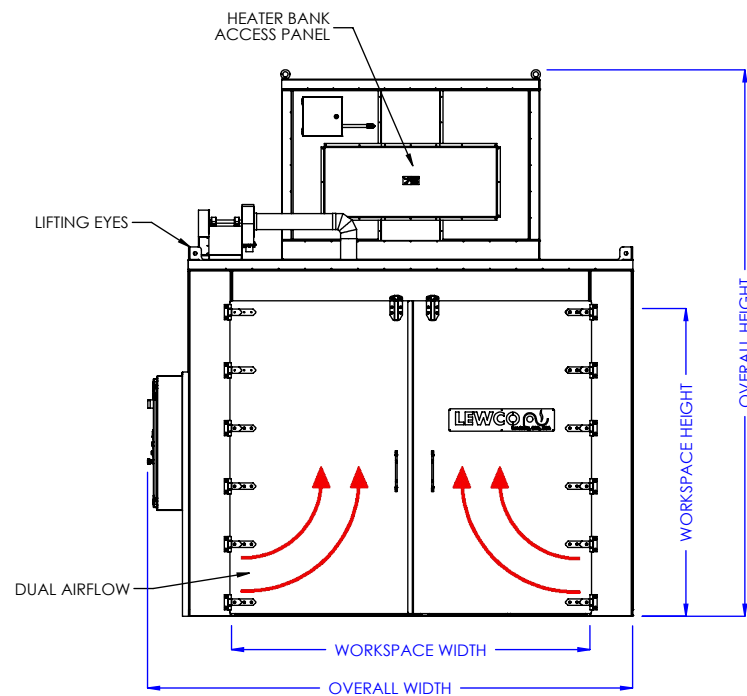
706 LANE ST. SANDUSKY, OH 44870, U.S.A.



PLAN VIEW



LEFT SIDE ELEVATION



FRONT ELEVATION

MODEL: EWT06ED

DESCRIPTION: ENHANCED DUTY WALK-IN OVEN, TOP MOUNT HEATER, 650°F, ELECTRIC, DUAL AIRFLOW

WARNING: OVENS PROCESSING FLAMMABLE VOLATILES OR COMBUSTIBLE MATERIALS ARE CLASSIFIED BY NFPA 86 AS "CLASS A" OVENS AND REQUIRE SPECIFIC SAFETY FEATURES. KNOW THE PROPERTIES OF THE MATERIALS BEING HEATED. EXPLOSION OR FIRE MAY RESULT FROM MISAPPLICATION.

LEWCO, INC. IS COMMITTED TO CONTINUOUS IMPROVEMENT AND RESERVES THE RIGHT TO CHANGE DESIGNS AND SPECIFICATIONS WITHOUT NOTICE.

THIS DRAWING MUST NOT BE COPIED, REPRODUCED OR USED FOR ANY PURPOSE WITHOUT THE WRITTEN CONSENT OF LEWCO, INC. ALL RIGHTS RESERVED.

DATE: 7/5/2017

REV. 001

PAGE: 5 of 5



706 LANE ST. SANDUSKY, OH 44870, U.S.A.