



Model: EWR05EH

Enhanced Duty Walk-In Oven

LEWCO Enhanced-Duty Batch Ovens are designed for critical applications, such as those in the advanced materials and aerospace industries. These models offer all of the same construction features as the Normal-Duty ovens; however the performance is "enhanced" by adding additional heat capacity and larger circulation fans. Enhanced-Duty ovens also guarantee a temperature uniformity of at least +/- 10°F. The EWR Series features a rear-mounted heater box, which is ideal for installations with height restrictions. Each unit is fully assembled, wired, and tested prior to shipment. All LEWCO ovens are manufactured to meet the requirements of NFPA 86.

Operating Temperature

- 150°F – 500°F (66°C -260°C)

Heating Source & Capacity

- Electric, low watt density Incoloy® heaters provide years of trouble free service.
- Standard heater bank assemblies are installed in high velocity ductwork to maximize heat transfer.

Airflow Pattern

- Horizontal Airflow: Hot air is supplied from one side of the wall and pulled across horizontally to the opposite side wall.

General Construction

- 16 ga. aluminized steel interior
- 18 ga. cold rolled steel exterior
- Heat loss is minimized by a unique wall design featuring a welded inner shell and a completely isolated outer frame and covers.

Finish

- Blue or gray alkyd enamel
- Optional: Premium finish for corrosive environments

Doors

- Heavy-duty doors on an isolated door frame minimize heat loss. Wire core gaskets create a tight seal for efficient heating.
- Explosion venting latches
- Standard: Bi-parting swing doors
- Optional:
 - Vertical lift guillotine door
 - Door windows

Floor

- Standard: 12 ga. plate floor
- Optional:
 - 12 ga. plate floor with (1) pair inverted angle track
 - 12 ga. plate floor with (1) pair 6" wide wheel guides
 - Insulated (100 p.s.f. max.)
 - Insulated with (1) pair inverted angle track
 - Insulated with (1) pair 6" wide wheel guides
 - No floor

Input Voltage

- Standard 480/3/60
- Please consult factory for other available options.

Controls

- Single set-point temperature controller and redundant high-limit controller
- NEMA 12 enclosure with full voltage lockable disconnect switch
- Circulation fan(s) include air proving circuits that are electrically interlocked with the heating circuit.
- Controls are wired to NFPA 70 and 79 electrical standards, and meet the requirements of NFPA 86, Class B ovens.
- Optional:
 - Door Switch
 - Batch Timer
 - Ramp/ Soak controller
 - Data logger/ chart recorder
 - Zero speed switch for fans
 - Composite curing controls

Quality Assurance

- Each unit comes complete with a (1) year warranty and is fully assembled, wired, and tested prior to shipment.
- Unit manufactured under ISO 9001 Quality Certified System.



Industrial Batch Ovens

Model: EWR05EH

Model (NFPA Class B)	Overall Dimensions			Door Swing Radius	Workspace Dimensions			Heater Bank (kW)	Circulating Fan (CFM)	Motor (HP)	Air Changes per Minute	Exhaust Fan Capacity (CFM)	Exhaust Motor (HP)	Solvents per Batch (Gals.)	Ships Fully Assembled
	"W	"D	"H		"W	"D	"H								
EWR05EH-48-48-60	87	106	72	24"	48	48	60	45	1,700	1	21.25	N/A	N/A	0	Yes
EWR05EH-48-48-72	89	106	84	24"	48	48	72	45	2,000	1 1/2	20.83	N/A	N/A	0	Yes
EWR05EH-48-48-96	93	106	108	24"	48	48	96	54	2,500	2	19.53	N/A	N/A	0	No
EWR05EH-48-72-72	95	134	84	24"	48	72	72	54	3,000	2	20.83	N/A	N/A	0	Yes
EWR05EH-48-72-96	99	140	108	24"	48	72	96	63	4,000	3	20.83	N/A	N/A	0	No
EWR05EH-48-96-72	99	164	84	24"	48	96	72	63	4,000	3	20.83	N/A	N/A	0	Yes
EWR05EH-48-96-96	107	168	108	24"	48	96	96	72	5,000	3	19.53	N/A	N/A	0	No
EWR05EH-60-60-60	105	118	72	30"	60	60	60	45	2,500	2	20.00	N/A	N/A	0	Yes
EWR05EH-60-60-72	107	122	84	30"	60	60	72	54	3,000	2	20.00	N/A	N/A	0	Yes
EWR05EH-60-60-96	111	128	108	30"	60	60	96	63	4,000	3	20.00	N/A	N/A	0	No
EWR05EH-60-72-72	111	134	84	30"	60	72	72	54	3,500	3	19.44	N/A	N/A	0	Yes
EWR05EH-60-72-96	115	144	108	30"	60	72	96	63	4,500	3	18.75	N/A	N/A	0	No
EWR05EH-60-96-96	121	174	108	30"	60	96	96	72	6,000	3	18.75	N/A	N/A	0	No
EWR05EH-72-72-72	123	140	84	36"	72	72	72	63	4,000	3	18.52	N/A	N/A	0	Yes
EWR05EH-72-72-96	131	150	108	36"	72	72	96	72	5,500	3	19.10	N/A	N/A	0	No
EWR05EH-72-96-96	145	174	108	36"	72	96	96	81	8,000	5	20.83	N/A	N/A	0	No
EWR05EH-72-120-96	153	198	108	36"	72	120	96	90	9,000	7 1/2	18.75	N/A	N/A	0	No

NOTE: Sizes are approximate. LEWCO, Inc. reserves the right to change specifications without notice.

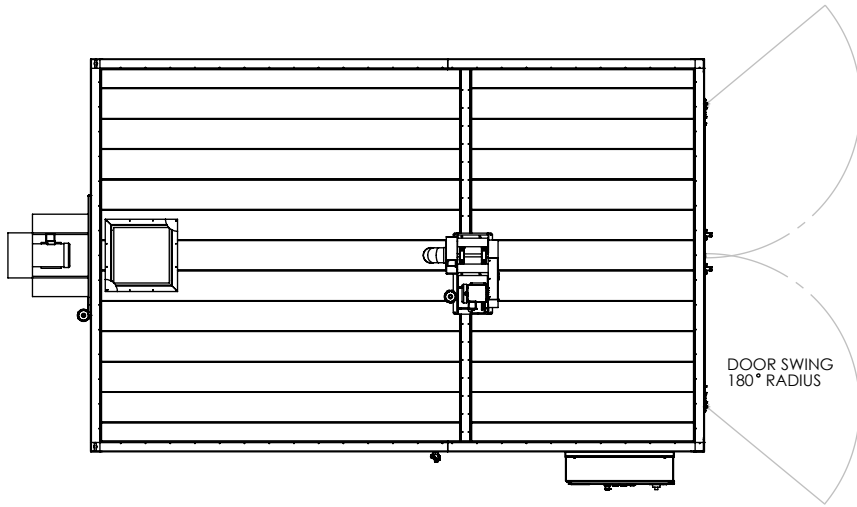


Industrial Batch Ovens

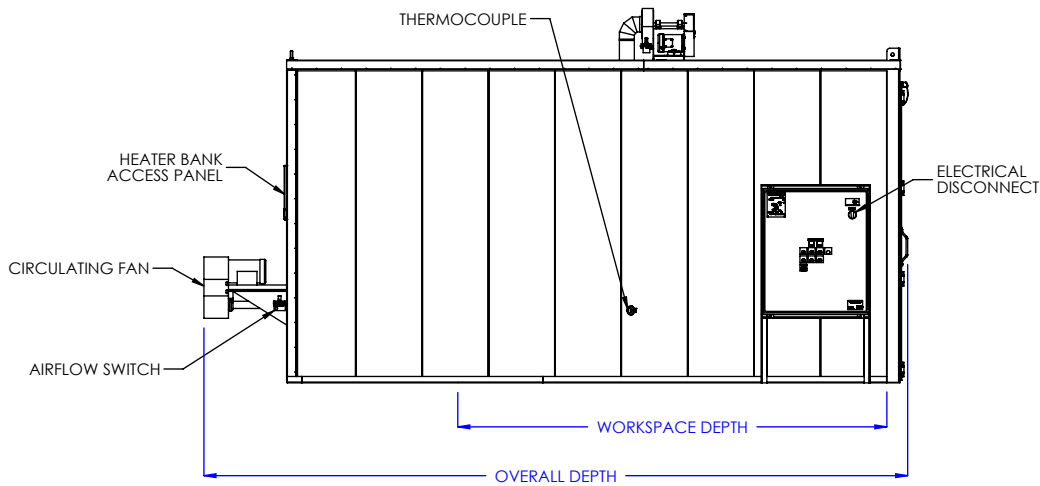
Model: EWR05EH

Model (NFPA Class A)	Overall Dimensions			Door Swing Radius	Workspace Dimensions			Heater Bank (kW)	Circulating Fan (CFM)	Motor (HP)	Air Changes per Minute	Exhaust Fan Capacity (CFM)	Exhaust Motor (HP)	Solvents per Batch (Gals.)	Ships Fully Assembled
	"W	"D	"H		"W	"D	"H								
EWR05EH-48-48-60	87	106	123	24"	48	48	60	54	1,700	1	21.25	62	1/4	0.05	Yes
EWR05EH-48-48-72	89	106	135	24"	48	48	72	54	2,000	1 1/2	20.83	62	1/4	0.05	Yes
EWR05EH-48-48-96	93	106	159	24"	48	48	96	63	2,500	2	19.53	62	1/4	0.05	No
EWR05EH-48-72-72	95	134	135	24"	48	72	72	63	3,000	2	20.83	62	1/4	0.05	Yes
EWR05EH-48-72-96	99	140	159	24"	48	72	96	63	4,000	3	20.83	62	1/4	0.05	No
EWR05EH-48-96-72	99	164	135	24"	48	96	72	63	4,000	3	20.83	62	1/4	0.05	Yes
EWR05EH-48-96-96	107	168	159	24"	48	96	96	72	5,000	3	19.53	62	1/4	0.05	No
EWR05EH-60-60-60	105	118	123	30"	60	60	60	54	2,500	2	20.00	62	1/4	0.05	Yes
EWR05EH-60-60-72	107	122	135	30"	60	60	72	63	3,000	2	20.00	62	1/4	0.05	Yes
EWR05EH-60-60-96	111	128	159	30"	60	60	96	72	4,000	3	20.00	62	1/4	0.05	No
EWR05EH-60-72-72	111	134	135	30"	60	72	72	63	3,500	3	19.44	62	1/4	0.05	Yes
EWR05EH-60-72-96	115	144	159	30"	60	72	96	72	4,500	3	18.75	62	1/4	0.05	No
EWR05EH-60-96-96	121	174	159	30"	60	96	96	90	6,000	3	18.75	100	1/4	0.08	No
EWR05EH-72-72-72	123	140	135	36"	72	72	72	72	4,000	3	18.52	62	1/4	0.05	Yes
EWR05EH-72-72-96	131	150	159	36"	72	72	96	81	5,500	3	19.10	62	1/4	0.05	No
EWR05EH-72-96-96	145	174	159	36"	72	96	96	99	8,000	5	20.83	100	1/4	0.08	No
EWR05EH-72-120-96	153	198	159	36"	72	120	96	108	9,000	7 1/2	18.75	100	1/4	0.08	No

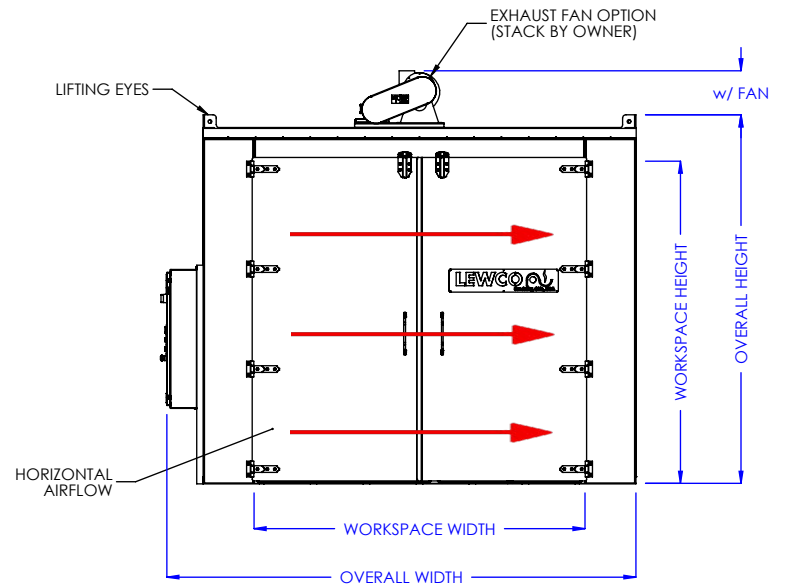
NOTE: Sizes are approximate. LEWCO, Inc. reserves the right to change specifications without notice.



PLAN VIEW



LEFT SIDE ELEVATION



FRONT ELEVATION

MODEL: EWR05EH

DESCRIPTION: ENHANCED DUTY WALK-IN OVEN, REAR MOUNT HEATER, 500° F, ELECTRIC, HORIZONTAL AIRFLOW

WARNING: OVENS PROCESSING FLAMMABLE VOLATILES OR COMBUSTIBLE MATERIALS ARE CLASSIFIED BY NFPA 86 AS "CLASS A" OVENS AND REQUIRE SPECIFIC SAFETY FEATURES. KNOW THE PROPERTIES OF THE MATERIALS BEING HEATED. EXPLOSION OR FIRE MAY RESULT FROM MISAPPLICATION.

LEWCO, INC. IS COMMITTED TO CONTINUOUS IMPROVEMENT AND RESERVES THE RIGHT TO CHANGE DESIGNS AND SPECIFICATIONS WITHOUT NOTICE.

THIS DRAWING MUST NOT BE COPIED, REPRODUCED OR USED FOR ANY PURPOSE WITHOUT THE WRITTEN CONSENT OF LEWCO, INC. ALL RIGHTS RESERVED.

DATE: 10/9/2017

REV. 001

PAGE: 1 of 1

LEWCO

706 LANE ST. SANDUSKY, OH 44870, U.S.A.