



Model: EWR06FH

### Enhanced Duty Walk-In Oven

LEWCO Enhanced-Duty Batch Ovens are designed for critical applications, such as those in the advanced materials and aerospace industries. These models offer all of the same construction features as the Normal-Duty ovens; however the performance is "enhanced" by adding additional heat capacity and larger circulation fans. Enhanced-Duty ovens also guarantee a temperature uniformity of at least +/- 10°F. The EWR Series features a rear-mounted heater box, which is ideal for installations with height restrictions. Each unit is fully assembled, wired, and tested prior to shipment. All LEWCO ovens are manufactured to meet the requirements of NFPA 86.

#### Operating Temperature

- 200°F – 650°F (93°C -343°C)

#### Heating Source & Capacity

- Direct fired natural gas, modulating burner with direct coupled, digital actuated control valve provides visual indications of valve position
- High turndown ration allows rapid heat-up and tight temperature control.
- Low CO and NOX emissions
- F.M. compliant fuel train

#### Airflow Pattern

- Horizontal Airflow: Hot air is supplied from one side of the wall and pulled across horizontally to the opposite side wall.

#### General Construction

- 16 ga. aluminized steel interior
- 18 ga. cold rolled steel exterior
- Heat loss is minimized by a unique wall design featuring a welded inner shell and a completely isolated outer frame and covers.

#### Finish

- Blue or gray alkyd enamel
- Optional: Premium finish for corrosive environments

#### Doors

- Heavy-duty doors on an isolated door frame minimize heat loss. Wire core gaskets create a tight seal for efficient heating.
- Explosion venting latches
- Standard: Bi-parting swing doors
- Optional:
  - Vertical lift guillotine door
  - Door windows

#### Floor

- Standard: 12 ga. plate floor
- Optional:
  - 12 ga. plate floor with (1) pair inverted angle track
  - 12 ga. plate floor with (1) pair 6" wide wheel guides
  - Insulated (100 p.s.f. max.)
  - Insulated with (1) pair inverted angle track
  - Insulated with (1) pair 6" wide wheel guides
  - No floor

#### Input Voltage

- Standard 480/3/60
- Please consult factory for other available options.

#### Controls

- Single set-point temperature controller and redundant high-limit controller
- NEMA 12 enclosure with full voltage lockable disconnect switch
- Circulation fan(s) include air proving circuits that are electrically interlocked with the heating circuit.
- Controls are wired to NFPA 70 and 79 electrical standards, and meet the requirements of NFPA 86, Class B ovens.
- Optional:
  - Door Switch
  - Batch Timer
  - Ramp/ Soak controller
  - Data logger/ chart recorder
  - Zero speed switch for fans
  - Composite curing controls

#### Quality Assurance

- Each unit comes complete with a (1) year warranty and is fully assembled, wired, and tested prior to shipment.
- Unit manufactured under ISO 9001 Quality Certified System.



# Industrial Batch Ovens

Model: EWR06FH

Model (NFPA Class B)	Overall Dimensions			Door Swing Radius	Workspace Dimensions			Workspace Volume (cubic ft.)	Burner (BTU/ Hr)	Circulating Fan(s) (CFM)	Motor(s) (HP)	Air Changes per Minute	Exhaust Fan Capacity (CFM)	Exhaust Motor (HP)	Solvents per Batch (Gals.)	Ships Fully Assembled
	"W	"D	"H		"W	"D	"H									
EWR06FH-48-48-60	83	107	124	24"	48	48	60	80	200,000	3,500	3	43.75	250	1/4	0	Yes
EWR06FH-48-48-72	85	107	136	24"	48	48	72	96	200,000	4,000	3	41.67	250	1/4	0	Yes
EWR06FH-48-48-96	85	111	160	24"	48	48	96	128	200,000	5,500	3	42.97	250	1/4	0	No
EWR06FH-48-72-72	87	141	136	24"	48	72	72	144	200,000	6,000	3	41.67	250	1/4	0	Yes
EWR06FH-48-72-96	91	145	160	24"	48	72	96	192	200,000	8,000	5	41.67	250	1/4	0	No
EWR06FH-48-96-72	91	169	136	24"	48	96	72	192	200,000	8,000	5	41.67	250	1/4	0	Yes
EWR06FH-48-96-96	95	175	160	24"	48	96	96	256	400,000	12,000	7 1/2	46.88	250	1/4	0	Yes
EWR06FH-60-60-60	99	123	124	30"	60	60	60	125	200,000	5,000	3	40.00	250	1/4	0	No
EWR06FH-60-60-72	99	129	136	30"	60	60	72	150	200,000	6,000	3	40.00	250	1/4	0	Yes
EWR06FH-60-60-96	103	133	160	30"	60	60	96	200	400,000	8,000	5	40.00	250	1/4	0	No
EWR06FH-60-72-72	101	145	136	30"	60	72	72	180	200,000	8,000	5	44.44	250	1/4	0	Yes
EWR06FH-60-72-96	105	151	160	30"	60	72	96	240	400,000	10,000	7 1/2	41.67	250	1/4	0	No
EWR06FH-60-96-96	111	175	160	30"	60	96	96	320	400,000	14,000	10	43.75	250	1/4	0	No
EWR06FH-72-72-72	115	151	136	36"	72	72	72	216	400,000	9,000	7 1/2	41.67	250	1/4	0	Yes
EWR06FH-72-72-96	123	151	160	36"	72	72	96	288	400,000	12,000	7 1/2	41.67	250	1/4	0	No
EWR06FH-72-96-96	127	182	160	36"	72	96	96	384	400,000	16,000	10	41.67	250	1/4	0	No
EWR06FH-72-120-96	131	211	160	36"	72	120	96	480	400,000	20,000	15	41.67	250	1/4	0	No

**NOTE: Sizes are approximate. LEWCO, Inc. reserves the right to change specifications without notice.**

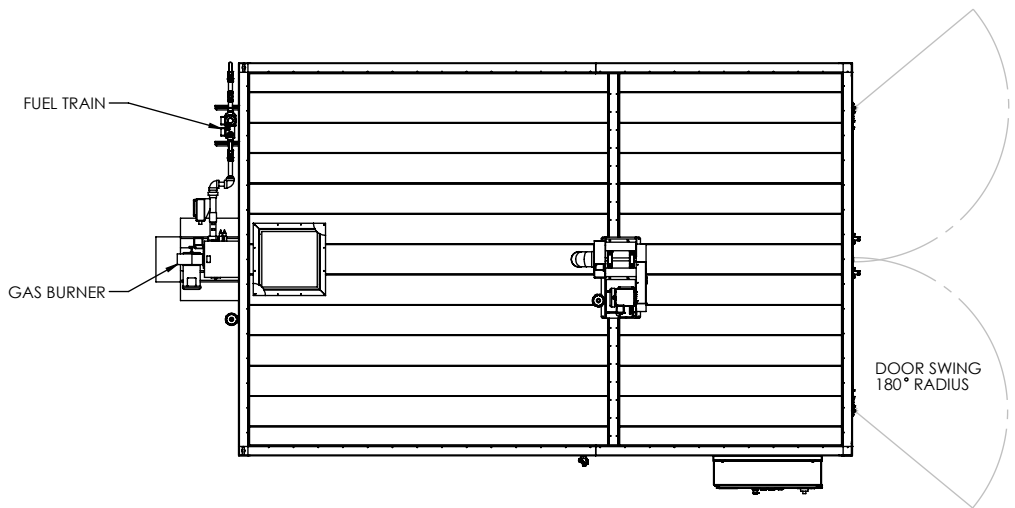


# Industrial Batch Ovens

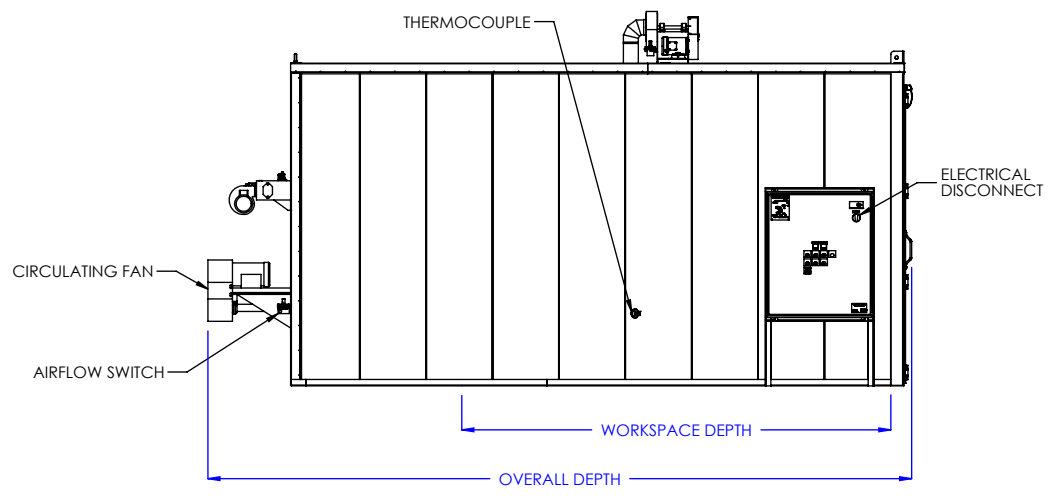
Model: EWR06FH

Model (NFPA Class A)	Overall Dimensions			Door Swing Radius	Workspace Dimensions			Workspace Volume (cubic ft.)	Burner (BTU/ Hr)	Circulating Fan (CFM)	Motor (HP)	Air Changes per Minute	Exhaust Fan Capacity (CFM)	Exhaust Motor (HP)	Solvents per Batch (Gals.)	Ships Fully Assembled
	"W	"D	"H		"W	"D	"H									
EWR06FH-48-48-60	83	107	124	24"	48	48	60	80	200,000	3,500	3	43.75	250	1/4	0.04	Yes
EWR06FH-48-48-72	85	107	136	24"	48	48	72	96	200,000	4,000	3	41.67	250	1/4	0.04	Yes
EWR06FH-48-48-96	85	111	160	24"	48	48	96	128	200,000	5,500	3	42.97	250	1/4	0.04	No
EWR06FH-48-72-72	87	141	136	24"	48	72	72	144	200,000	6,000	3	41.67	250	1/4	0.04	Yes
EWR06FH-48-72-96	91	145	160	24"	48	72	96	192	200,000	8,000	5	41.67	250	1/4	0.04	No
EWR06FH-48-96-72	91	169	136	24"	48	96	72	192	200,000	8,000	5	41.67	250	1/4	0.04	Yes
EWR06FH-48-96-96	95	175	160	24"	48	96	96	256	400,000	12,000	7 1/2	46.88	500	1	0.04	Yes
EWR06FH-60-60-60	99	123	124	30"	60	60	60	125	200,000	5,000	3	40.00	250	1/4	0.04	No
EWR06FH-60-60-72	99	129	136	30"	60	60	72	150	200,000	6,000	3	40.00	250	1/4	0.04	Yes
EWR06FH-60-60-96	103	133	160	30"	60	60	96	200	400,000	8,000	5	40.00	500	1	0.04	No
EWR06FH-60-72-72	101	145	136	30"	60	72	72	180	200,000	8,000	5	44.44	250	1/4	0.04	Yes
EWR06FH-60-72-96	105	151	160	30"	60	72	96	240	400,000	10,000	7 1/2	41.67	500	1	0.04	No
EWR06FH-60-96-96	111	175	160	30"	60	96	96	320	400,000	14,000	10	43.75	500	1	0.07	No
EWR06FH-72-72-72	115	151	136	36"	72	72	72	216	400,000	9,000	7 1/2	41.67	500	1	0.04	Yes
EWR06FH-72-72-96	123	151	160	36"	72	72	96	288	400,000	12,000	7 1/2	41.67	500	1	0.04	No
EWR06FH-72-96-96	127	182	160	36"	72	96	96	384	400,000	16,000	10	41.67	500	1	0.07	No
EWR06FH-72-120-96	131	211	160	36"	72	120	96	480	400,000	20,000	15	41.67	500	1	0.07	No

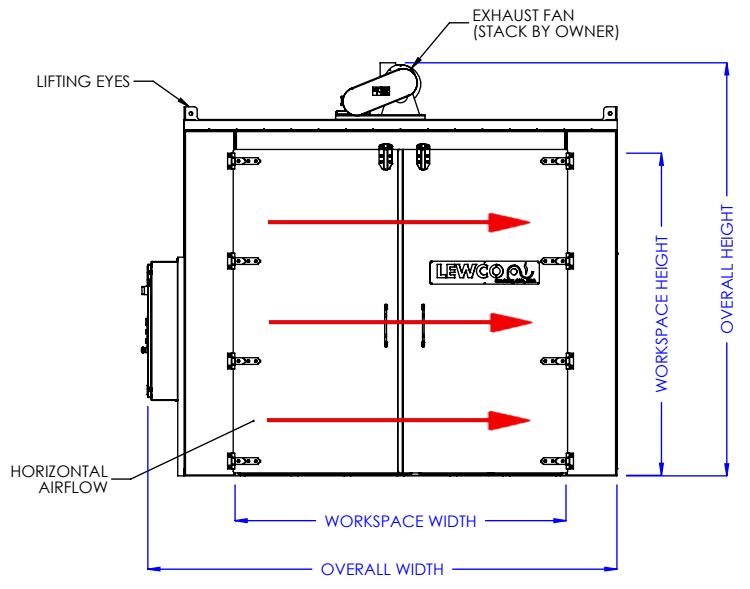
**NOTE: Sizes are approximate. LEWCO, Inc. reserves the right to change specifications without notice.**



**PLAN VIEW**



**LEFT SIDE ELEVATION**



**FRONT ELEVATION**

**MODEL:** EWR06FH

**DESCRIPTION:** ENHANCED DUTY WALK-IN OVEN, REAR MOUNT HEATER, 650° F, FUEL-FIRED, HORIZONTAL AIRFLOW

**WARNING:** OVENS PROCESSING FLAMMABLE VOLATILES OR COMBUSTIBLE MATERIALS ARE CLASSIFIED BY NFPA 86 AS "CLASS A" OVENS AND REQUIRE SPECIFIC SAFETY FEATURES. KNOW THE PROPERTIES OF THE MATERIALS BEING HEATED. EXPLOSION OR FIRE MAY RESULT FROM MISAPPLICATION.

LEWCO, INC. IS COMMITTED TO CONTINUOUS IMPROVEMENT AND RESERVES THE RIGHT TO CHANGE DESIGNS AND SPECIFICATIONS WITHOUT NOTICE.

THIS DRAWING MUST NOT BE COPIED, REPRODUCED OR USED FOR ANY PURPOSE WITHOUT THE WRITTEN CONSENT OF LEWCO, INC. ALL RIGHTS RESERVED.

DATE:	10/9/2017
REV.	001
PAGE:	1 of 1