



Model: EWT03FD

Enhanced Duty Walk-In Oven

LEWCO Enhanced-Duty Batch Ovens are designed for critical applications, such as those in the advanced materials and aerospace industries. These models offer all of the same construction features as the Normal-Duty ovens; however the performance is "enhanced" by adding additional heat capacity and larger circulation fans. Enhanced-Duty ovens also guarantee a temperature uniformity of at least +/- 10°F. The EWT series features a top-mounted heater box, which creates a smaller footprint and permits pass-through processing with optional rear doors. Each unit is fully assembled, wired, and tested prior to shipment. All LEWCO ovens are manufactured to meet the requirements of NFPA 86.

Operating Temperature

- 200°F - 350°F (93°C -177°C)

Heating Source & Capacity

- Direct fired natural gas, modulating burner with direct coupled, digital actuated control valve provides visual indication of valve position.
- High turndown ratio allows rapid heat-up and tight temperature control
- Low CO and NOX emissions
- F.M. compliant fuel train

Airflow Pattern

- Dual Airflow: Hot air is supplied from both of the side walls and returned through a top plenum.

General Construction

- 16 ga. aluminized steel interior
- 18 ga. cold rolled steel exterior
- Heat loss is minimized by a unique wall design featuring a welded inner shell and a completely isolated outer frame and covers.

Finish

- Blue or gray alkyd enamel
- Optional: Premium finish for corrosive environments

Doors

- Heavy-duty doors on an isolated door frame minimize heat loss. Wire core gaskets create a tight seal for efficient heating.
- Explosion venting latches
- Standard: Bi-parting swing doors
- Optional:
 - Vertical lift guillotine door
 - Door windows

Floor

- Standard: 12 ga. plate floor
- Optional:
 - 12 ga. plate floor with (1) pair inverted angle track
 - 12 ga. plate floor with (1) pair 6" wide wheel guides
 - Insulated (100 p.s.f. max.)
 - Insulated with (1) pair inverted angle track
 - Insulated with (1) pair 6" wide wheel guides
 - No floor

Input Voltage

- Standard 480/3/60
- Please consult factory for other available options.

Controls

- Single set-point temperature controller and redundant high-limit controller
- NEMA 12 enclosure with full voltage lockable disconnect switch
- Circulation fan(s) include air proving circuits that are electrically interlocked with the heating circuit.
- Controls are wired to NFPA 70 and 79 electrical standards, and meet the requirements of NFPA 86, Class B ovens.
- Optional:
 - Door Switch
 - Batch Timer
 - Ramp/ Soak controller
 - Data logger/ chart recorder
 - Zero speed switch for fans
 - Composite curing controls

Quality Assurance

- Each unit comes complete with a (1) year warranty and is fully assembled, wired, and tested prior to shipment.
- Unit manufactured under ISO 9001 Quality Certified System.

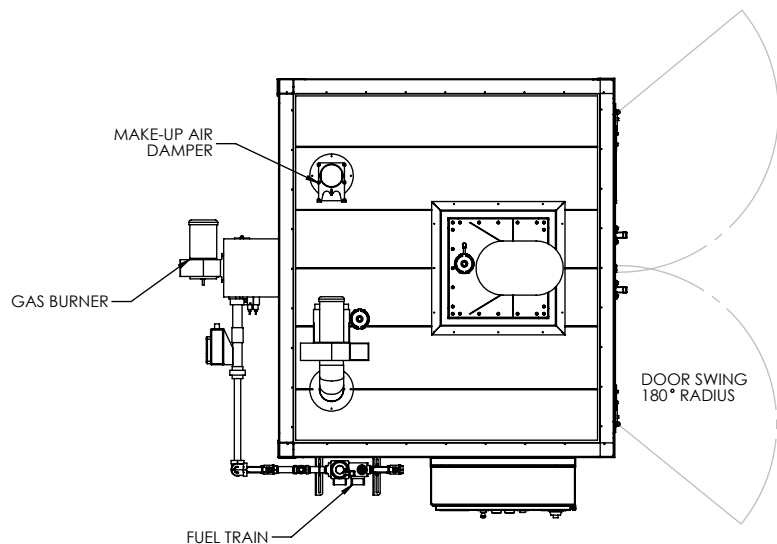
Model (NFPA Class B)	Overall Dimensions			Door Swing Radius	Workspace Dimensions			Workspace Volume (cubic ft.)	Burner (BTU/ Hr)	Circulating Fan(s) (CFM)	Motor(s) (HP)	Air Changes per Minute	Exhaust Fan Capacity (CFM)	Exhaust Motor (HP)	Solvents per Batch (Gals.)	Ships Fully Assembled
	"W	"D	"H		"W	"D	"H									
EWT03FD-48-48-60 *	74	59	116	34"	48	48	60	80	200,000	3,500	3	43.75	100	1/4	0	Yes
EWT03FD-48-48-72	76	59	129	34"	48	48	72	96	200,000	4,000	3	41.67	100	1/4	0	Yes
EWT03FD-48-48-96	76	59	153	34"	48	48	96	128	200,000	5,500	3	42.97	100	1/4	0	No
EWT03FD-60-60-60 *	88	71	117	40"	60	60	60	125	200,000	5,000	3	40.00	100	1/4	0	Yes
EWT03FD-60-60-72	88	71	134	40"	60	60	72	150	200,000	6,000	3	40.00	100	1/4	0	Yes
EWT03FD-60-60-96	90	71	165	40"	60	60	96	200	200,000	8,000	5	40.00	100	1/4	0	No
EWT03FD-72-72-72	102	83	141	46"	72	72	72	216	200,000	9,000	7 1/2	41.67	100	1/4	0	Yes
EWT03FD-72-72-96	104	83	173	46"	72	72	96	288	200,000	12,000	7 1/2	41.67	100	1/4	0	No
EWT03FD-72-120-96	110	131	176	46"	72	120	96	480	200,000	20,000	15	41.67	100	1/4	0	No
EWT03FD-84-84-84	118	95	162	52"	84	84	84	343	200,000	14,000	10	40.82	100	1/4	0	No
EWT03FD-84-96-84	120	107	163	52"	84	96	84	392	200,000	16,000	10	40.82	100	1/4	0	No
EWT03FD-84-120-84	122	131	168	52"	84	120	84	490	400,000	20,000	15	40.82	250	1/4	0	No
EWT03FD-84-120-96	124	131	186	52"	84	120	96	560	400,000	24,000	15	42.86	250	1/4	0	No
EWT03FD-96-96-96	134	107	180	58"	96	96	96	512	400,000	22,000	15	42.97	250	1/4	0	No
EWT03FD-96-120-96	136	131	186	58"	96	120	96	640	400,000	26,000	15	40.63	250	1/4	0	No
EWT03FD-96-144-96	140	155	193	58"	96	144	96	768	400,000	16,000(x2)	10(x2)	40.20	250	1/4	0	No
EWT03FD-96-168-96	142	179	194	58"	96	168	96	896	400,000	18,000(x2)	15(x2)	40.17	250	1/4	0	No
EWT03FD-96-192-96	144	203	201	58"	96	192	96	1,024	400,000	22,000(x2)	15(x2)	42.96	250	1/4	0	No
EWT03FD-96-240-96	146	251	207	58"	96	240	96	1,280	700,000	26,000(x2)	15(x2)	40.63	500	1	0	No
EWT03FD-120-120-96	164	131	193	70"	120	120	96	800	400,000	16,000(x2)	10(x2)	40.00	250	1/4	0	No
EWT03FD-120-120-120	168	131	225	70"	120	120	120	1,000	400,000	20,000(x2)	15(x2)	40.00	250	1/4	0	No
EWT03FD-120-144-96	166	155	194	70"	120	144	96	960	400,000	20,000(x2)	15(x2)	41.67	250	1/4	0	No
EWT03FD-120-144-120	170	155	231	70"	120	144	120	1,200	400,000	24,000(x2)	15(x2)	40.00	250	1/4	0	No
EWT03FD-120-168-96	168	179	206	70"	120	168	96	1,120	400,000	24,000(x2)	15(x2)	42.85	250	1/4	0	No
EWT03FD-120-168-120	172	179	232	70"	120	168	120	1,400	700,000	28,000(x2)	15(x2)	40.00	500	1	0	No
EWT03FD-120-192-96	170	203	207	70"	120	192	96	1,280	700,000	26,000(x2)	15(x2)	40.63	500	1	0	No

* Indicates Configuration Style #1. Refer to drawings on page 4 of 5

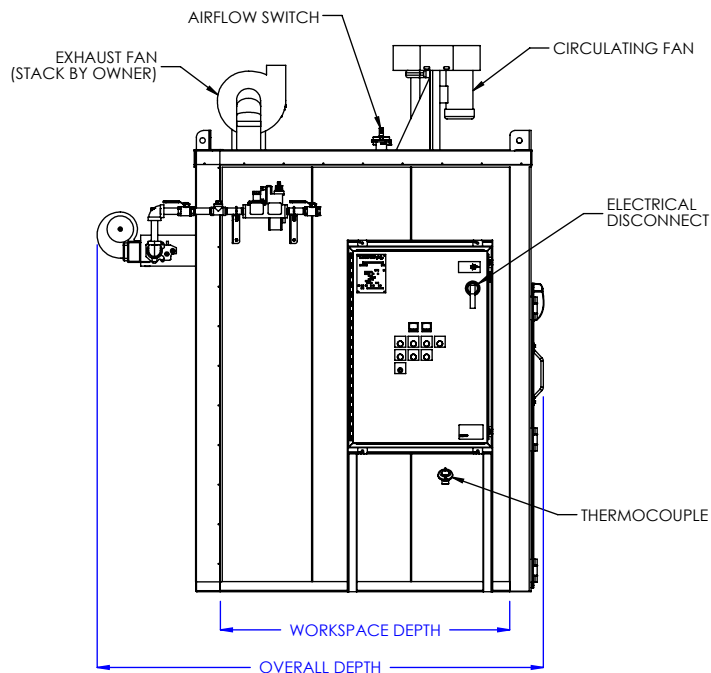
NOTE: Sizes are approximate. LEWCO, Inc. reserves the right to change specifications without notice.

Model (NFPA Class A)	Overall Dimensions			Door Swing Radius	Workspace Dimensions			Workspace Volume (cubic ft.)	Burner (BTU/ Hr)	Circulating Fan(s) (CFM)	Motor(s) (HP)	Air Changes per Minute	Exhaust Fan Capacity (CFM)	Exhaust Motor (HP)	Solvents per Batch (Gals.)	Ships Fully Assembled
	"W	"D	"H		"W	"D	"H									
EWT03FD-48-48-60 *	74	59	116	34"	48	48	60	80	200,000	3,500	3	43.75	250	1/4	0.06	Yes
EWT03FD-48-48-72	76	59	129	34"	48	48	72	96	200,000	4,000	3	41.67	250	1/4	0.06	Yes
EWT03FD-48-48-96	76	59	153	34"	48	48	96	128	200,000	5,500	3	42.97	250	1/4	0.06	No
EWT03FD-60-60-60 *	88	71	117	40"	60	60	60	125	200,000	5,000	3	40.00	250	1/4	0.06	Yes
EWT03FD-60-60-72	88	71	134	40"	60	60	72	150	200,000	6,000	3	40.00	250	1/4	0.06	Yes
EWT03FD-60-60-96	90	71	165	40"	60	60	96	200	200,000	8,000	5	40.00	250	1/4	0.06	No
EWT03FD-72-72-72	102	83	141	46"	72	72	72	216	200,000	9,000	7 1/2	41.67	250	1/4	0.06	Yes
EWT03FD-72-72-96	104	83	173	46"	72	72	96	288	200,000	12,000	7 1/2	41.67	250	1/4	0.06	No
EWT03FD-72-120-96	110	131	176	46"	72	120	96	480	200,000	20,000	15	41.67	250	1/4	0.10	No
EWT03FD-84-84-84	118	95	162	52"	84	84	84	343	200,000	14,000	10	40.82	250	1/4	0.10	No
EWT03FD-84-96-84	120	107	163	52"	84	96	84	392	200,000	16,000	10	40.82	250	1/4	0.10	No
EWT03FD-84-120-84	122	131	168	52"	84	120	84	490	400,000	20,000	15	40.82	500	1	0.25	No
EWT03FD-84-120-96	124	131	186	52"	84	120	96	560	400,000	24,000	15	42.86	500	1	0.25	No
EWT03FD-96-96-96	134	107	180	58"	96	96	96	512	400,000	22,000	15	42.97	500	1	0.25	No
EWT03FD-96-120-96	136	131	186	58"	96	120	96	640	400,000	26,000	15	40.63	500	1	0.25	No
EWT03FD-96-144-96	140	155	193	58"	96	144	96	768	400,000	16,000(x2)	10(x2)	40.20	500	1	0.25	No
EWT03FD-120-120-96	164	131	193	70"	120	120	96	800	400,000	16,000(x2)	10(x2)	40.00	500	1	0.25	No
EWT03FD-120-120-120	168	131	225	70"	120	120	120	1,000	400,000	20,000(x2)	15(x2)	40.00	500	1	0.25	No
EWT03FD-120-144-96	166	155	194	70"	120	144	96	960	400,000	20,000(x2)	15(x2)	41.67	500	1	0.25	No
EWT03FD-120-144-120	170	155	161	70"	120	144	120	1,200	400,000	24,000(x2)	15(x2)	40.00	500	1	0.25	No
EWT03FD-120-168-96	168	179	206	70"	120	168	96	1,120	400,000	24,000(x2)	15(x2)	42.85	500	1	0.25	No
EWT03FD-120-168-120	172	179	232	70"	120	168	120	1,400	700,000	28,000(x2)	15(x2)	40.00	1,000	1 1/2	0.51	No
EWT03FD-120-192-96	170	203	207	70"	120	192	96	1,280	700,000	26,000(x2)	15(x2)	40.63	1,000	1 1/2	0.51	No

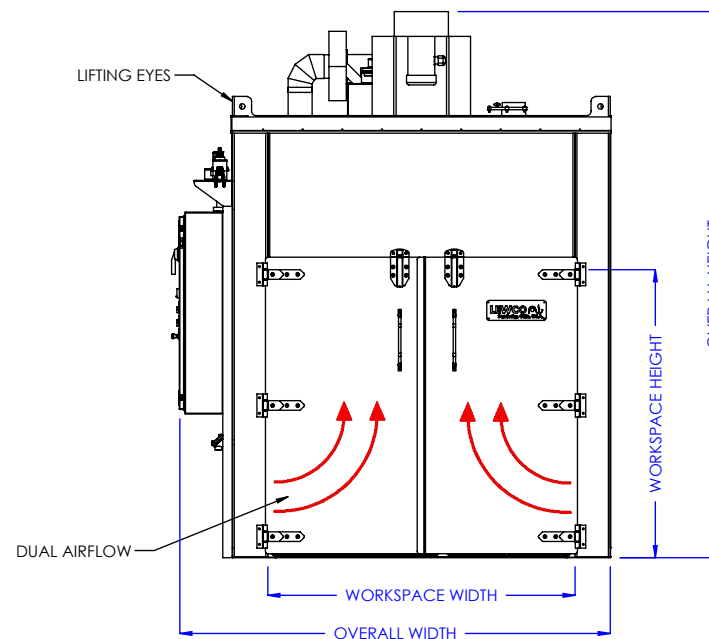
* Indicates Configuration Style #1. Refer to drawings on page 4 of 5



PLAN VIEW



LEFT SIDE ELEVATION



FRONT ELEVATION

MODEL: EWT03FD

DESCRIPTION: ENHANCED DUTY WALK-IN OVEN, TOP MOUNT HEATER, 350°F, FUEL-FIRED, DUAL AIRFLOW

WARNING: OVENS PROCESSING FLAMMABLE VOLATILES OR COMBUSTIBLE MATERIALS ARE CLASSIFIED BY NFPA 86 AS "CLASS A" OVENS AND REQUIRE SPECIFIC SAFETY FEATURES. KNOW THE PROPERTIES OF THE MATERIALS BEING HEATED. EXPLOSION OR FIRE MAY RESULT FROM MISAPPLICATION.

LEWCO, INC. IS COMMITTED TO CONTINUOUS IMPROVEMENT AND RESERVES THE RIGHT TO CHANGE DESIGNS AND SPECIFICATIONS WITHOUT NOTICE.

THIS DRAWING MUST NOT BE COPIED, REPRODUCED OR USED FOR ANY PURPOSE WITHOUT THE WRITTEN CONSENT OF LEWCO, INC. ALL RIGHTS RESERVED.

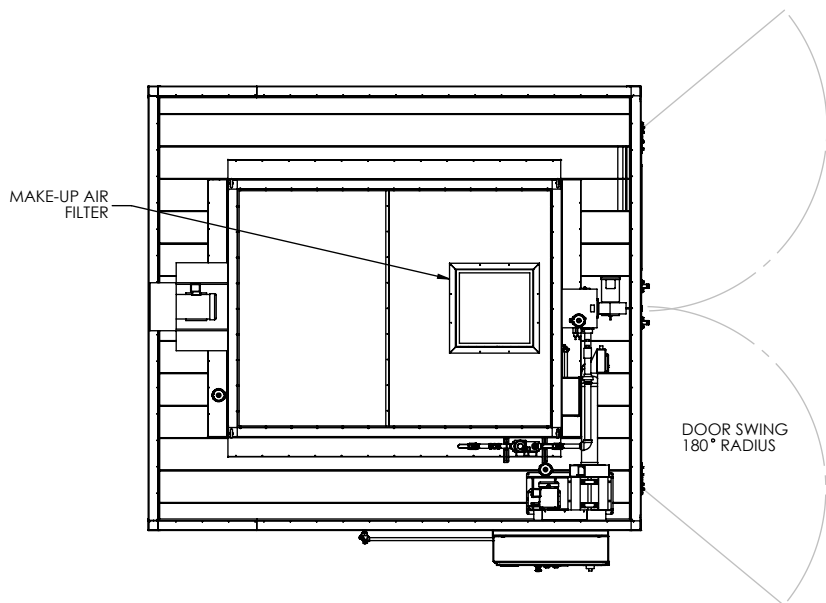
DATE: 10/11/2017

REV. 001

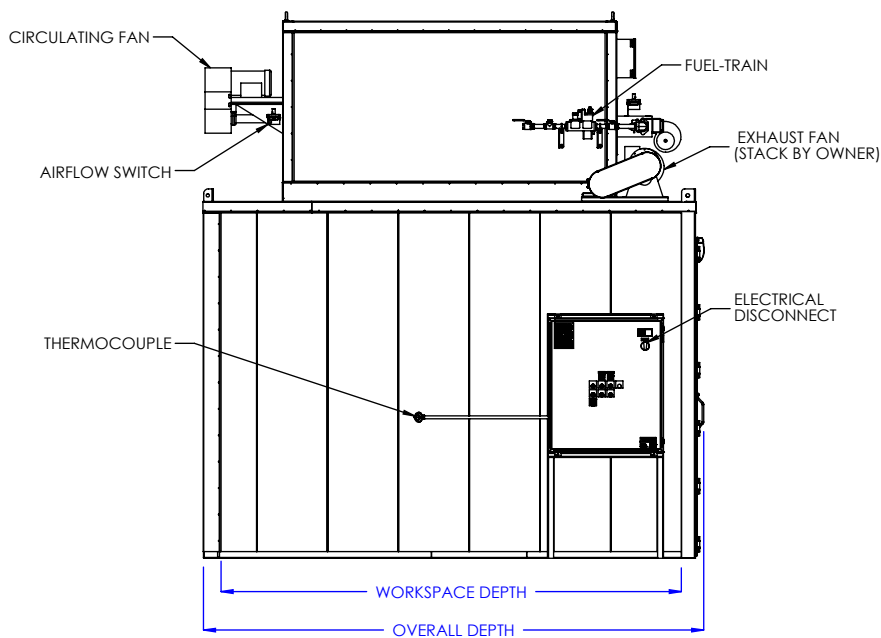
PAGE: 4 of 5



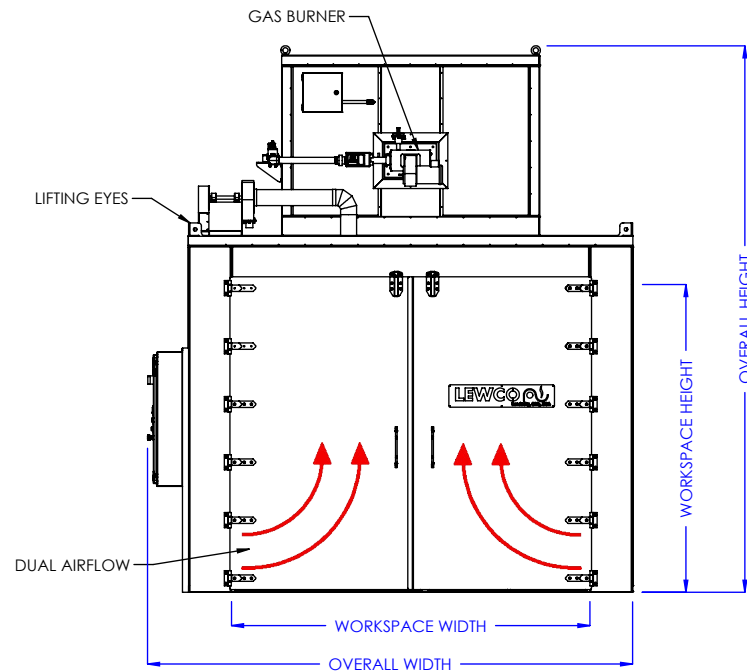
706 LANE ST. SANDUSKY, OH 44870, U.S.A.



PLAN VIEW



LEFT SIDE ELEVATION



FRONT ELEVATION

MODEL: EWT03FD

DESCRIPTION: ENHANCED DUTY WALK-IN OVEN, TOP MOUNT HEATER, 350°F, FUEL-FIRED, DUAL AIRFLOW

WARNING: OVENS PROCESSING FLAMMABLE VOLATILES OR COMBUSTIBLE MATERIALS ARE CLASSIFIED BY NFPA 86 AS "CLASS A" OVENS AND REQUIRE SPECIFIC SAFETY FEATURES. KNOW THE PROPERTIES OF THE MATERIALS BEING HEATED. EXPLOSION OR FIRE MAY RESULT FROM MISAPPLICATION.

LEWCO, INC. IS COMMITTED TO CONTINUOUS IMPROVEMENT AND RESERVES THE RIGHT TO CHANGE DESIGNS AND SPECIFICATIONS WITHOUT NOTICE.

THIS DRAWING MUST NOT BE COPIED, REPRODUCED OR USED FOR ANY PURPOSE WITHOUT THE WRITTEN CONSENT OF LEWCO, INC. ALL RIGHTS RESERVED.

DATE: 7/6/2017

REV. 001

PAGE: 5 of 5



706 LANE ST. SANDUSKY, OH 44870, U.S.A.