



Model: SWR03ED

Normal Duty Walk-In Oven

LEWCO Normal-Duty Batch Ovens are designed for common applications, such as pre-heating, drying, and baking. These models offer quality and performance at economical prices. Heavy-duty construction and industry standard components yield durable and reliable equipment. The SWR series features a rear-mounted heater box, which is ideal for installations with height restrictions. Each unit is fully assembled, wired, and tested prior to shipment. All LEWCO ovens are manufactured to meet the requirements of NFPA 86.

Operating Temperature

- 150°F - 350°F (66°C -177°C)

Heating Source & Capacity

- Electric, low watt density Incoloy® heaters provide years of trouble free service.
- Standard heater bank assemblies are installed in high velocity ductwork to maximize heat transfer.

Airflow Pattern

- Dual Airflow: Hot air is supplied from both of the side walls and returned through a top plenum.

General Construction

- 16 ga. aluminized steel interior
- 18 ga. cold rolled steel exterior
- Heat loss is minimized by a unique wall design featuring a welded inner shell and a completely isolated outer frame and covers.

Finish

- Blue or gray alkyd enamel
- Optional: Premium finish for corrosive environments

Doors

- Heavy-duty doors on an isolated door frame minimize heat loss. Wire core gaskets create a tight seal for efficient heating.
- Explosion venting latches
- Standard: Bi-parting swing doors
- Optional:
 - Vertical lift guillotine door
 - Door windows

Floor

- Standard: 12 ga. plate floor
- Optional:
 - 12 ga. plate floor with (1) pair inverted angle track
 - 12 ga. plate floor with (1) pair 6" wide wheel guides
 - Insulated (100 p.s.f. max.)
 - Insulated with (1) pair inverted angle track
 - Insulated with (1) pair 6" wide wheel guides
 - No floor

Input Voltage

- Standard 480/3/60
- Please consult factory for other available options.

Controls

- Single set-point temperature controller and redundant high-limit controller
- NEMA 12 enclosure with full voltage lockable disconnect switch
- Circulation fan(s) include air proving circuits that are electrically interlocked with the heating circuit.
- Controls are wired to NFPA 70 and 79 electrical standards, and meet the requirements of NFPA 86, Class B ovens.
- Optional:
 - Door Switch
 - Batch Timer
 - Ramp/ Soak controller
 - Data logger/ chart recorder
 - Zero speed switch for fans
 - Composite curing controls

Quality Assurance

- Each unit comes complete with a (1) year warranty and is fully assembled, wired, and tested prior to shipment.
- Unit manufactured under ISO 9001 Quality Certified System.



Industrial Batch Ovens

Model: SWR03ED

Model (NFPA Class B)	Overall Dimensions			Door Swing Radius	Workspace Dimensions			Workspace Volume (cubic ft.)	Heater Bank (kW)	Circulating Fan (CFM)	Motor (HP)	Air Changes per Minute	Exhaust Fan Capacity (CFM)	Exhaust Motor (HP)	Solvents per Batch (Gals.)	Ships Fully Assembled
	"W	"D	"H		"W	"D	"H									
SWR03ED-48-48-60	77	106	72	24"	48	48	60	80	36	1,000	1	12.5	N/A	N/A	0	Yes
SWR03ED-48-48-72	77	106	84	24"	48	48	72	96	36	1,400	1	14.58	N/A	N/A	0	Yes
SWR03ED-48-48-96	79	106	108	24"	48	48	96	128	36	1,700	1	13.28	N/A	N/A	0	Yes
SWR03ED-48-72-72	79	130	84	24"	48	72	72	144	36	1,700	1	11.81	N/A	N/A	0	Yes
SWR03ED-48-72-96	83	130	108	24"	48	72	96	192	36	2,500	2	13.02	N/A	N/A	0	Yes
SWR03ED-48-96-72	83	154	84	24"	48	96	72	192	36	2,500	2	13.02	N/A	N/A	0	Yes
SWR03ED-48-96-96	83	158	108	24"	48	96	96	256	45	3,000	2	11.72	N/A	N/A	0	Yes
SWR03ED-60-60-60	89	118	72	30"	60	60	60	125	36	1,400	1	11.2	N/A	N/A	0	Yes
SWR03ED-60-60-72	91	118	84	30"	60	60	72	150	36	1,700	1	11.33	N/A	N/A	0	Yes
SWR03ED-60-60-96	95	118	108	30"	60	60	96	200	36	2,500	2	12.5	N/A	N/A	0	Yes
SWR03ED-60-72-72	95	130	84	30"	60	72	72	180	36	2,500	2	13.88	N/A	N/A	0	Yes
SWR03ED-60-72-96	95	134	108	30"	60	72	96	240	45	3,000	2	12.5	N/A	N/A	0	Yes
SWR03ED-60-96-96	97	164	108	30"	60	96	96	320	45	4,000	3	12.5	N/A	N/A	0	Yes
SWR03ED-72-72-72	107	130	84	36"	72	72	72	216	36	2,500	2	11.57	N/A	N/A	0	Yes
SWR03ED-72-72-96	109	134	108	36"	72	72	96	288	45	3,500	3	12.15	N/A	N/A	0	Yes
SWR03ED-72-96-96	111	168	108	36"	72	96	96	384	54	4,500	3	11.72	N/A	N/A	0	Yes
SWR03ED-72-120-96	113	198	108	36"	72	120	96	480	63	5,500	3	11.46	N/A	N/A	0	Yes
SWR03ED-84-84-84	121	152	96	42"	84	84	84	343	54	4,000	3	11.66	N/A	N/A	0	Yes
SWR03ED-84-96-84	123	168	96	42"	84	96	84	392	54	4,500	3	11.48	N/A	N/A	0	Yes
SWR03ED-84-120-84	125	198	96	42"	84	120	84	490	63	5,500	3	11.22	N/A	N/A	0	Yes
SWR03ED-84-120-96	129	198	108	42"	84	120	96	560	63	7,000	5	12.5	N/A	N/A	0	Yes
SWR03ED-96-96-96	139	174	108	48"	96	96	96	512	63	6,000	3	11.72	N/A	N/A	0	Yes
SWR03ED-96-120-96	145	198	108	48"	96	120	96	640	72	8,000	5	12.5	N/A	N/A	0	Yes
SWR03ED-96-144-96	149	222	108	48"	96	144	96	768	81	9,000	7 1/2	11.72	N/A	N/A	0	Yes
SWR03ED-96-168-96	153	258	108	48"	96	168	96	896	90	12,000	7 1/2	13.39	N/A	N/A	0	Yes
SWR03ED-120-120-96	173	198	108	60"	120	120	96	800	81	9,000	7 1/2	11.25	N/A	N/A	0	Yes
SWR03ED-120-120-120	177	210	132	60"	120	120	120	1,000	90	12,000	7 1/2	12	N/A	N/A	0	Yes
SWR03ED-120-144-96	177	234	108	60"	120	144	96	960	90	12,000	7 1/2	12.5	N/A	N/A	0	Yes
SWR03ED-120-144-120	183	234	132	60"	120	144	120	1,200	99	14,000	10	11.66	N/A	N/A	0	Yes
SWR03ED-120-168-96	183	258	108	60"	120	168	96	1,120	99	14,000	10	12.5	N/A	N/A	0	Yes
SWR03ED-120-168-120	185	267	132	60"	120	168	120	1,400	108	16,000	10	11.43	N/A	N/A	0	Yes

NOTE: Sizes are approximate. LEWCO, Inc. reserves the right to change specifications without notice.

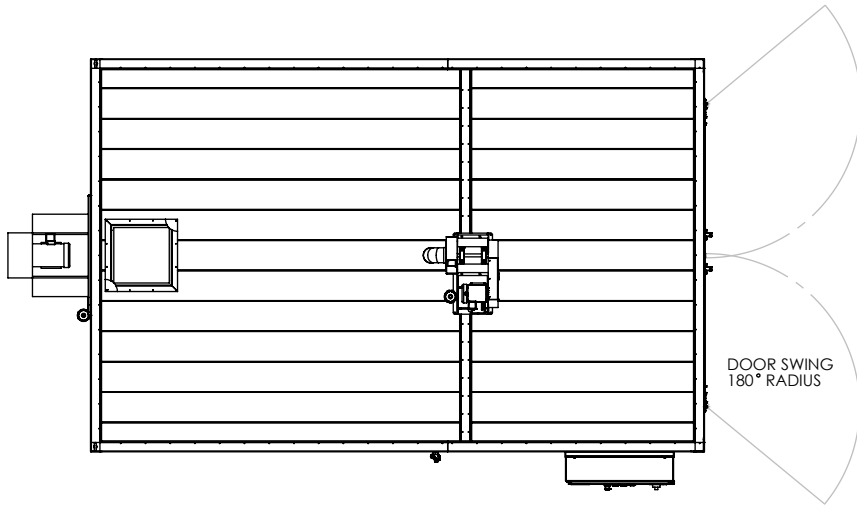


Industrial Batch Ovens

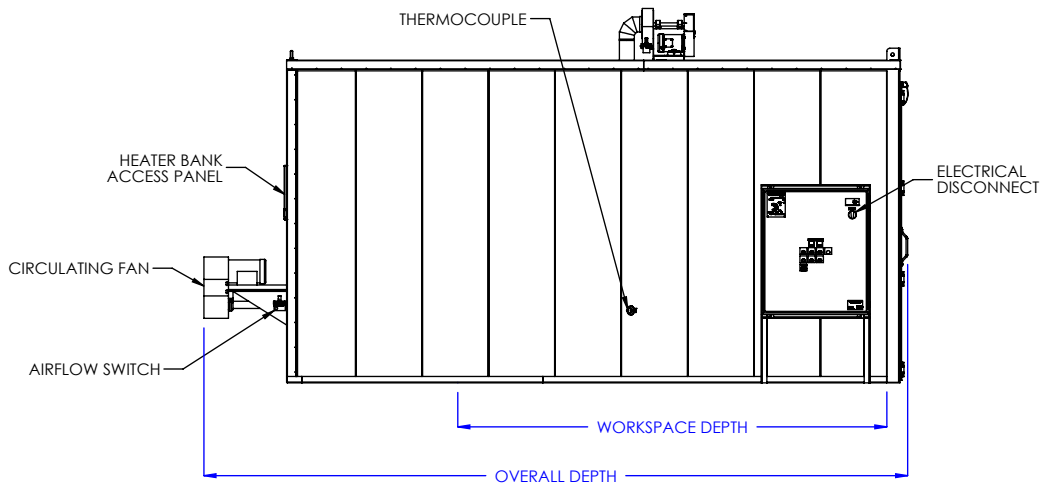
Model: SWR03ED

Model (NFPA Class A)	Overall Dimensions			Door Swing Radius	Workspace Dimensions			Workspace Volume (cubic ft.)	Heater Bank (kW)	Circulating Fan (CFM)	Motor (HP)	Air Changes per Minute	Exhaust Fan Capacity (CFM)	Exhaust Motor (HP)	Solvents per Batch (Gals.)	Ships Fully Assembled
	"W	"D	"H		"W	"D	"H									
SWR03ED-48-48-60	77	106	123	24"	48	48	60	80	36	1,000	1	12.5	62	1/4	0.06	Yes
SWR03ED-48-48-72	77	106	135	24"	48	48	72	96	36	1,400	1	14.58	62	1/4	0.06	Yes
SWR03ED-48-48-96	79	106	159	24"	48	48	96	128	36	1,700	1	13.28	62	1/4	0.06	Yes
SWR03ED-48-72-72	79	130	135	24"	48	72	72	144	36	1,700	1	11.81	62	1/4	0.06	Yes
SWR03ED-48-72-96	83	130	159	24"	48	72	96	192	45	2,500	2	13.02	62	1/4	0.06	Yes
SWR03ED-48-96-72	83	154	135	24"	48	96	72	192	45	2,500	2	13.02	62	1/4	0.06	Yes
SWR03ED-48-96-96	83	158	159	24"	48	96	96	256	45	3,000	2	11.72	62	1/4	0.06	Yes
SWR03ED-60-60-60	89	118	123	30"	60	60	60	125	36	1,400	1	11.2	62	1/4	0.06	Yes
SWR03ED-60-60-72	91	118	135	30"	60	60	72	150	36	1,700	1	11.33	62	1/4	0.06	Yes
SWR03ED-60-60-96	95	118	159	30"	60	60	96	200	45	2,500	2	12.5	62	1/4	0.06	Yes
SWR03ED-60-72-72	95	130	135	30"	60	72	72	180	45	2,500	2	13.89	62	1/4	0.06	Yes
SWR03ED-60-72-96	95	134	159	30"	60	72	96	240	45	3,000	2	12.5	62	1/4	0.06	Yes
SWR03ED-60-96-96	97	164	159	30"	60	96	96	320	54	4,000	3	12.5	100	1/4	0.1	Yes
SWR03ED-72-72-72	107	130	135	36"	72	72	72	216	45	2,500	2	11.57	62	1/4	0.06	Yes
SWR03ED-72-72-96	109	134	159	36"	72	72	96	288	54	3,500	3	12.15	62	1/4	0.06	Yes
SWR03ED-72-96-96	111	168	159	36"	72	96	96	384	63	4,500	3	11.72	100	1/4	0.1	Yes
SWR03ED-72-120-96	113	198	159	36"	72	120	96	480	63	5,500	3	11.46	100	1/4	0.1	Yes
SWR03ED-84-84-84	121	152	147	42"	84	84	84	343	54	4,000	3	11.66	100	1/4	0.1	Yes
SWR03ED-84-96-84	123	168	147	42"	84	96	84	392	63	4,500	3	11.48	100	1/4	0.1	Yes
SWR03ED-84-120-84	125	198	147	42"	84	120	84	490	81	5,500	3	11.22	250	1/4	0.25	Yes
SWR03ED-84-120-96	129	198	159	42"	84	120	96	560	81	7,000	5	12.5	250	1/4	0.25	Yes
SWR03ED-96-96-96	139	174	159	48"	96	96	96	512	81	6,000	3	11.72	250	1/4	0.25	Yes
SWR03ED-96-120-96	145	198	159	48"	96	120	96	640	90	8,000	5	12.5	250	1/4	0.25	Yes
SWR03ED-96-144-96	149	222	159	48"	96	144	96	768	90	9,000	7 1/2	11.72	250	1/4	0.25	Yes
SWR03ED-96-168-96	153	258	159	48"	96	168	96	896	99	12,000	7 1/2	13.39	250	1/4	0.25	Yes
SWR03ED-120-120-96	173	198	159	60"	120	120	96	800	99	9,000	7 1/2	11.25	250	1/4	0.25	Yes
SWR03ED-120-120-120	177	210	183	60"	120	120	120	1,000	108	12,000	7 1/2	12	250	1/4	0.25	Yes
SWR03ED-120-144-96	177	234	159	60"	120	144	96	960	108	12,000	7 1/2	12.5	250	1/4	0.25	Yes
SWR03ED-120-144-120	183	234	183	60"	120	144	120	1,200	126	14,000	10	11.66	250	1/4	0.25	Yes
SWR03ED-120-168-96	183	258	159	60"	120	168	96	1,120	126	14,000	10	12.5	250	1/4	0.25	Yes
SWR03ED-120-168-120	185	267	183	60"	120	168	120	1,400	153	16,000	10	11.43	750	1	0.51	Yes

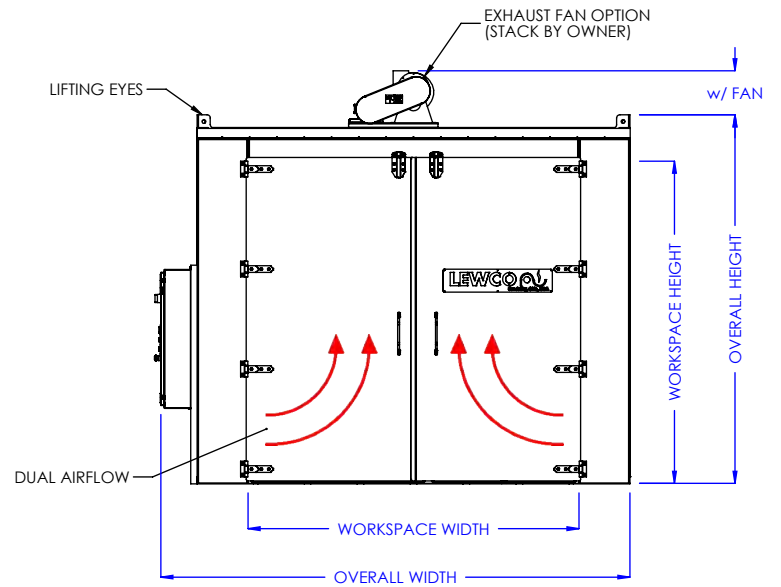
NOTE: Sizes are approximate. LEWCO, Inc. reserves the right to change specifications without notice.



PLAN VIEW



LEFT SIDE ELEVATION



FRONT ELEVATION

MODEL: SWR03ED

DESCRIPTION: NORMAL DUTY WALK-IN OVEN, REAR MOUNT HEATER, 350° F, ELECTRIC, DUAL AIRFLOW

WARNING: OVENS PROCESSING FLAMMABLE VOLATILES OR COMBUSTIBLE MATERIALS ARE CLASSIFIED BY NFPA 86 AS "CLASS A" OVENS AND REQUIRE SPECIFIC SAFETY FEATURES. KNOW THE PROPERTIES OF THE MATERIALS BEING HEATED. EXPLOSION OR FIRE MAY RESULT FROM MISAPPLICATION.

LEWCO, INC. IS COMMITTED TO CONTINUOUS IMPROVEMENT AND RESERVES THE RIGHT TO CHANGE DESIGNS AND SPECIFICATIONS WITHOUT NOTICE.

THIS DRAWING MUST NOT BE COPIED, REPRODUCED OR USED FOR ANY PURPOSE WITHOUT THE WRITTEN CONSENT OF LEWCO, INC. ALL RIGHTS RESERVED.

DATE: 10/9/2017

REV. 001

PAGE: 1 of 1

LEWCO

706 LANE ST. SANDUSKY, OH 44870, U.S.A.