



Model: SWT03FD

Normal Duty Walk-In Oven

LEWCO Normal-Duty Batch Ovens are designed for common applications, such as pre-heating, drying, and baking. These models offer quality and performance at economical prices. Heavy-duty construction and industry standard components yield durable and reliable equipment. The SWT series features a top-mounted heater box, which creates a smaller footprint and permits pass-through processing with optional rear doors. Each unit is fully assembled, wired, and tested prior to shipment. All LEWCO ovens are manufactured to meet the requirements of NFPA 86.

Operating Temperature

- 200°F - 350°F (93°C -177°C)

Heating Source & Capacity

- Direct fired natural gas, modulating burner with direct coupled, digital actuated control valve provides visual indication of valve position.
- High turndown ratio allows rapid heat-up and tight temperature control
- Low CO and NOX emissions
- F.M. compliant fuel train

Airflow Pattern

- Dual Airflow: Hot air is supplied from both of the side walls and returned through a top plenum.

General Construction

- 16 ga. aluminized steel interior
- 18 ga. cold rolled steel exterior
- Heat loss is minimized by a unique wall design featuring a welded inner shell and a completely isolated outer frame and covers.

Finish

- Blue or gray alkyd enamel
- Optional: Premium finish for corrosive environments

Doors

- Heavy-duty doors on an isolated door frame minimize heat loss. Wire core gaskets create a tight seal for efficient heating.
- Explosion venting latches
- Standard: Bi-parting swing doors
- Optional:
 - Vertical lift guillotine door
 - Door windows

Floor

- Standard: 12 ga. plate floor
- Optional:
 - 12 ga. plate floor with (1) pair inverted angle track
 - 12 ga. plate floor with (1) pair 6" wide wheel guides
 - Insulated (100 p.s.f. max.)
 - Insulated with (1) pair inverted angle track
 - Insulated with (1) pair 6" wide wheel guides
 - No floor

Input Voltage

- Standard 480/3/60
- Please consult factory for other available options.

Controls

- Single set-point temperature controller and redundant high-limit controller
- NEMA 12 enclosure with full voltage lockable disconnect switch
- Circulation fan(s) include air proving circuits that are electrically interlocked with the heating circuit.
- Controls are wired to NFPA 70 and 79 electrical standards, and meet the requirements of NFPA 86, Class B ovens.
- Optional:
 - Door Switch
 - Batch Timer
 - Ramp/ Soak controller
 - Data logger/ chart recorder
 - Zero speed switch for fans
 - Composite curing controls

Quality Assurance

- Each unit comes complete with a (1) year warranty and is fully assembled, wired, and tested prior to shipment.
- Unit manufactured under ISO 9001 Quality Certified System.



Industrial Batch Ovens

Model: SWT03FD

Model (NFPA Class B)	Overall Dimensions			Door Swing Radius	Workspace Dimensions			Workspace Volume (cubic ft.)	Burner (BTU/ Hr)	Circulating Fan(s) (CFM)	Motor(s) (HP)	Air Changes per Minute	Exhaust Fan Capacity (CFM)	Exhaust Motor (HP)	Solvents per Batch (Gals.)	Ships Fully Assembled
	"W	"D	"H		"W	"D	"H									
SWT03FD-48-48-60 *	80	74	146	34"	48	48	60	80	200,000	1,000	1	12.50	100	1/4	0	Yes
SWT03FD-48-48-72 *	80	74	158	34"	48	48	72	96	200,000	1,400	1	14.58	100	1/4	0	Yes
SWT03FD-48-48-96 *	80	74	152	34"	48	48	96	128	200,000	1,700	1	13.28	100	1/4	0	Yes
SWT03FD-60-60-60 *	92	86	146	40"	60	60	60	125	200,000	1,400	1	11.20	100	1/4	0	Yes
SWT03FD-60-60-72 *	92	86	128	40"	60	60	72	150	200,000	1,700	1	11.33	100	1/4	0	Yes
SWT03FD-60-60-96 *	92	86	153	40"	60	60	96	200	200,000	2,500	2	12.50	100	1/4	0	No
SWT03FD-72-72-72 *	104	98	158	46"	72	72	72	216	200,000	2,500	2	11.57	100	1/4	0	Yes
SWT03FD-72-72-96 *	104	98	159	46"	72	72	96	288	200,000	3,500	3	12.15	100	1/4	0	No
SWT03FD-72-120-96	104	131	145	46"	72	120	96	480	200,000	5,500	3	11.46	100	1/4	0	No
SWT03FD-84-84-84	116	95	161	52"	84	84	84	343	200,000	4,000	3	11.66	100	1/4	0	Yes
SWT03FD-84-96-84	120	107	160	52"	84	96	84	392	200,000	4,500	3	11.48	100	1/4	0	Yes
SWT03FD-84-120-84	122	131	161	52"	84	120	84	490	400,000	5,500	3	11.22	250	1/4	0	Yes
SWT03FD-84-120-96	122	131	178	52"	84	120	96	560	400,000	7,000	5	12.50	250	1/4	0	Yes
SWT03FD-96-96-96	128	107	173	58"	96	96	96	512	400,000	6,000	3	11.72	250	1/4	0	No
SWT03FD-96-120-96	132	131	145	58"	96	120	96	640	400,000	8,000	5	12.50	250	1/4	0	No
SWT03FD-96-144-96	134	155	173	58"	96	144	96	768	400,000	9,000	7 1/2	11.72	250	1/4	0	No
SWT03FD-96-168-96	134	179	178	58"	96	168	96	896	400,000	12,000	7 1/2	13.39	250	1/4	0	No
SWT03FD-96-192-96	136	203	185	58"	96	192	96	1,024	400,000	12,000	7 1/2	11.72	250	1/4	0	No
SWT03FD-96-240-96	140	251	190	58"	96	240	96	1,280	700,000	16,000	10	12.50	500	1	0	No
SWT03FD-96-240-120	142	251	218	58"	96	240	120	1,600	700,000	18,000	15	11.25	500	1	0	No
SWT03FD-96-288-96	142	299	194	58"	96	288	96	1,536	700,000	18,000	15	11.72	500	1	0	No
SWT03FD-96-288-120	144	299	230	58"	96	288	120	1,920	700,000	22,000	15	11.45	500	1	0	No
SWT03FD-96-336-96	144	347	201	58"	96	336	96	1,792	700,000	22,000	15	12.27	500	1	0	No
SWT03FD-96-336-120	148	347	232	58"	96	336	120	2,240	700,000	26,000	15	11.61	500	1	0	No
SWT03FD-120-120-96	158	131	174	70"	120	120	96	800	400,000	9,000	7 1/2	11.25	250	1/4	0	No
SWT03FD-120-120-120	160	131	209	70"	120	120	120	1,000	400,000	12,000	7 1/2	12.00	250	1/4	0	No
SWT03FD-120-144-96	160	155	183	70"	120	144	96	960	400,000	12,000	8	12.50	250	1/4	0	No
SWT03FD-120-144-120	162	155	209	70"	120	144	120	1,200	400,000	14,000	10	11.67	250	1/4	0	No
SWT03FD-120-168-96	162	179	185	70"	120	168	96	1,120	400,000	14,000	10	12.50	250	1/4	0	No
SWT03FD-120-168-120	164	179	216	70"	120	168	120	1,400	700,000	16,000	10	11.43	500	1	0	No
SWT03FD-120-192-96	164	203	190	70"	120	192	96	1,280	700,000	16,000	10	12.50	500	1	0	No
SWT03FD-120-192-120	162	203	216	70"	120	192	120	1,600	700,000	18,000	15	11.25	500	1	0	No
SWT03FD-120-240-96	166	251	192	70"	120	240	96	1,600	700,000	18,000	15	11.25	500	1	0	No
SWT03FD-120-240-120	168	251	231	70"	120	240	120	2,000	700,000	24,000	15	12.00	500	1	0	No
SWT03FD-120-288-96	168	299	205	70"	120	288	96	1,920	700,000	22,000	15	11.46	500	1	0	No
SWT03FD-120-288-120	172	299	239	70"	120	288	120	1,400	700,000	28,000	15	11.67	500	1	0	No
SWT03FD-120-336-96	172	347	208	70"	120	336	96	2,240	700,000	26,000	15	11.61	500	1	0	No
SWT03FD-120-336-120	172	347	240	70"	120	336	120	2,800	1,000,000	16000(x2)	10(x2)	11.42	500	1	0	No

* Indicates Configuration Style #1. Refer to drawings on page 4 of 5

NOTE: Sizes are approximate. LEWCO, Inc. reserves the right to change specifications without notice.



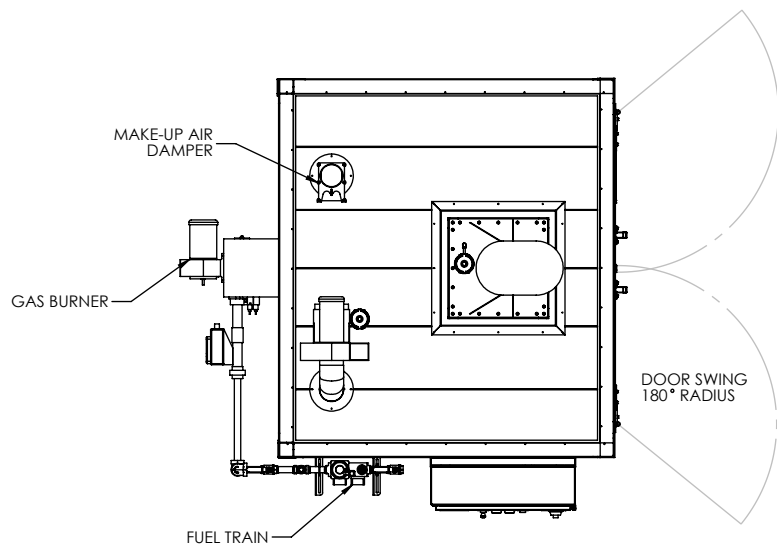
Industrial Batch Ovens

Model: SWT03FD

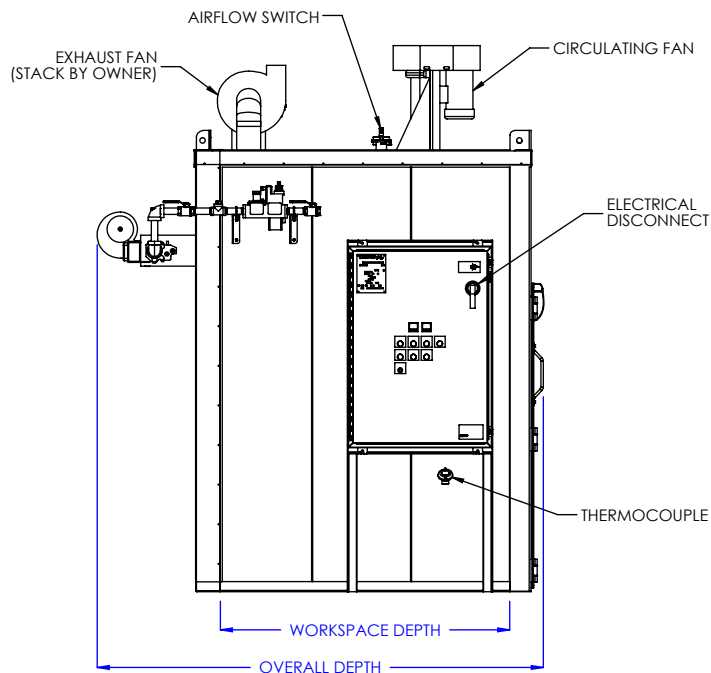
Model (NFPA Class A)	Overall Dimensions			Door Swing Radius	Workspace Dimensions			Workspace Volume (cubic ft.)	Burner (BTU/ Hr)	Circulating Fan(s) (CFM)	Motor(s) (HP)	Air Changes per Minute	Exhaust Fan Capacity (CFM)	Exhaust Motor (HP)	Solvents per Batch (Gals.)	Ships Fully Assembled
	"W	"D	"H		"W	"D	"H									
SWT03FD-48-48-60 *	78	74	146	34"	48	48	60	80	200,000	1,000	1	12.50	250	1/4	0.06	Yes
SWT03FD-48-48-72 *	80	74	158	34"	48	48	72	96	200,000	1,400	1	14.58	250	1/4	0.06	Yes
SWT03FD-48-48-96 *	100	59	193	34"	48	48	96	128	200,000	1,700	1	13.28	250	1/4	0.06	No
SWT03FD-60-60-60 *	92	86	146	40"	60	60	60	125	200,000	1,400	1	11.20	250	1/4	0.06	Yes
SWT03FD-60-60-72 *	114	71	218	40"	60	60	72	150	200,000	1,700	1	11.33	250	1/4	0.06	No
SWT03FD-60-60-96 *	86	71	194	40"	60	60	96	200	200,000	2,500	2	12.50	250	1/4	0.06	No
SWT03FD-72-72-72 *	104	98	158	46"	72	72	72	216	200,000	2,500	2	11.57	250	1/4	0.06	Yes
SWT03FD-72-72-96 *	98	98	230	46"	72	72	96	288	200,000	3,500	3	12.15	250	1/4	0.06	No
SWT03FD-72-120-96	104	131	145	46"	72	120	96	480	200,000	5,500	3	11.46	250	1/4	0.10	No
SWT03FD-84-84-84	116	95	161	52"	84	84	84	343	200,000	4,000	3	11.66	250	1/4	0.10	Yes
SWT03FD-84-96-84	120	107	160	52"	84	96	84	392	200,000	4,500	3	11.48	250	1/4	0.10	Yes
SWT03FD-84-120-84	122	131	161	52"	84	120	84	490	400,000	5,500	3	11.22	500	1	0.25	Yes
SWT03FD-84-120-96	122	131	178	52"	84	120	96	560	400,000	7,000	5	12.50	500	1	0.25	Yes
SWT03FD-96-96-96	128	107	173	58"	96	96	96	512	400,000	6,000	3	11.72	500	1	0.25	No
SWT03FD-96-120-96	132	131	145	58"	96	120	96	640	400,000	8,000	5	12.50	500	1	0.25	No
SWT03FD-96-144-96	134	155	173	58"	96	144	96	768	400,000	9,000	7 1/2	11.72	500	1	0.25	No
SWT03FD-120-120-96	158	131	180	70"	120	120	96	800	400,000	9,000	7 1/2	11.25	500	1	0.25	No
SWT03FD-120-120-120	160	131	186	70"	120	120	120	1,000	400,000	12,000	7 1/2	12.00	500	1	0.25	No
SWT03FD-120-144-96	160	155	193	70"	120	144	96	960	400,000	12,000	7 1/2	12.50	500	1	0.25	No
SWT03FD-120-144-120	162	155	218	70"	120	144	120	1,200	400,000	14,000	10	11.66	500	1	0.25	No
SWT03FD-120-168-96	162	179	194	70"	120	168	96	1,120	400,000	14,000	10	12.50	500	1	0.25	No
SWT03FD-120-168-120	164	179	230	70"	120	168	120	1,400	700,000	16,000	10	11.43	1,000	1 1/2	0.51	No
SWT03FD-120-192-96	164	203	201	70"	120	192	96	1,280	700,000	16,000	10	12.50	1,000	1 1/2	0.51	No
SWT03FD-120-192-120	166	203	232	70"	120	192	120	1,600	700,000	18,000	15	11.25	1,000	1 1/2	0.77	No
SWT03FD-120-240-96	166	251	176	70"	120	240	96	1,600	700,000	18,000	15	11.25	1,000	1 1/2	0.77	No
SWT03FD-120-240-120	168	251	210	70"	120	240	120	2,000	700,000	18,000	15	11.00	1,000	1 1/2	0.77	No
SWT03FD-120-288-96	168	299	186	70"	120	288	96	1,920	700,000	24,000	15	11.46	1,000	1 1/2	0.77	No
SWT03FD-120-288-120	172	299	211	70"	120	288	120	2,400	700,000	28,000	15	11.67	1,000	1 1/2	0.77	No
SWT03FD-120-336-96	172	347	187	70"	120	336	96	2,240	700,000	26,000	15	11.61	1,000	1 1/2	0.77	No
SWT03FD-120-336-120	172	347	217	70"	120	336	120	2,800	1,000,000	16000(x2)	10(x2)	11.42	1,500	2	0.77	No

* Indicates Configuration Style #1. Refer to drawings on page 4 of 5

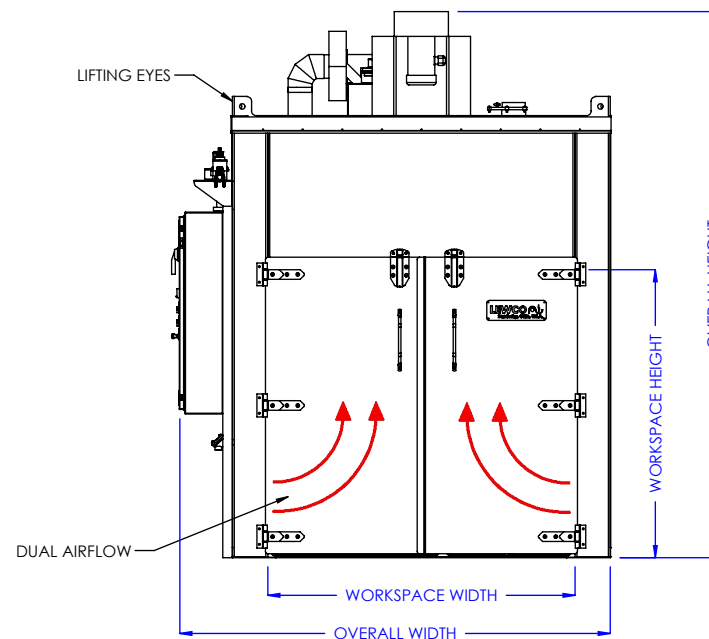
NOTE: Sizes are approximate. LEWCO, Inc. reserves the right to change specifications without notice.



PLAN VIEW



LEFT SIDE ELEVATION



FRONT ELEVATION

MODEL: SWT03FD

DESCRIPTION: NORMAL DUTY WALK-IN OVEN, TOP MOUNT HEATER, 350°F, FUEL-FIRED, DUAL AIRFLOW

WARNING: OVENS PROCESSING FLAMMABLE VOLATILES OR COMBUSTIBLE MATERIALS ARE CLASSIFIED BY NFPA 86 AS "CLASS A" OVENS AND REQUIRE SPECIFIC SAFETY FEATURES. KNOW THE PROPERTIES OF THE MATERIALS BEING HEATED. EXPLOSION OR FIRE MAY RESULT FROM MISAPPLICATION.

LEWCO, INC. IS COMMITTED TO CONTINUOUS IMPROVEMENT AND RESERVES THE RIGHT TO CHANGE DESIGNS AND SPECIFICATIONS WITHOUT NOTICE.

THIS DRAWING MUST NOT BE COPIED, REPRODUCED OR USED FOR ANY PURPOSE WITHOUT THE WRITTEN CONSENT OF LEWCO, INC. ALL RIGHTS RESERVED.

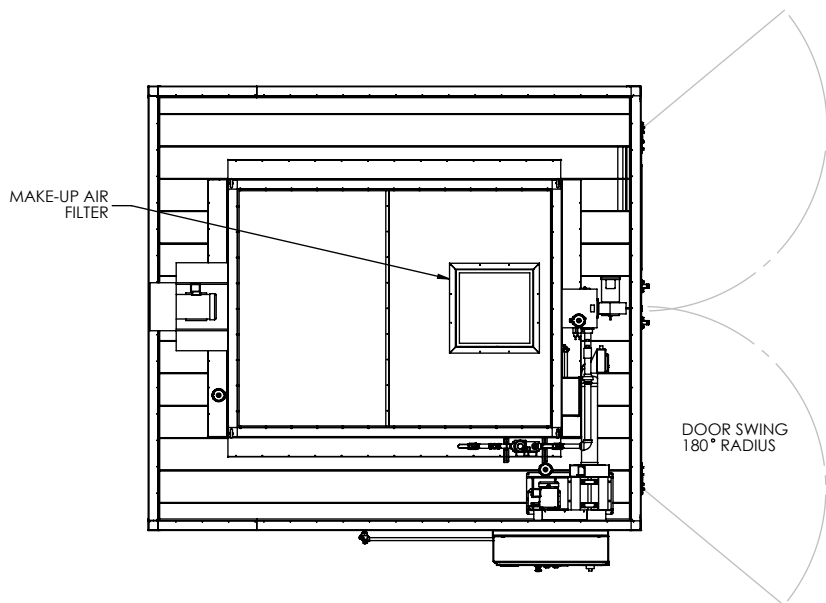
DATE: 10/11/2017

REV. 001

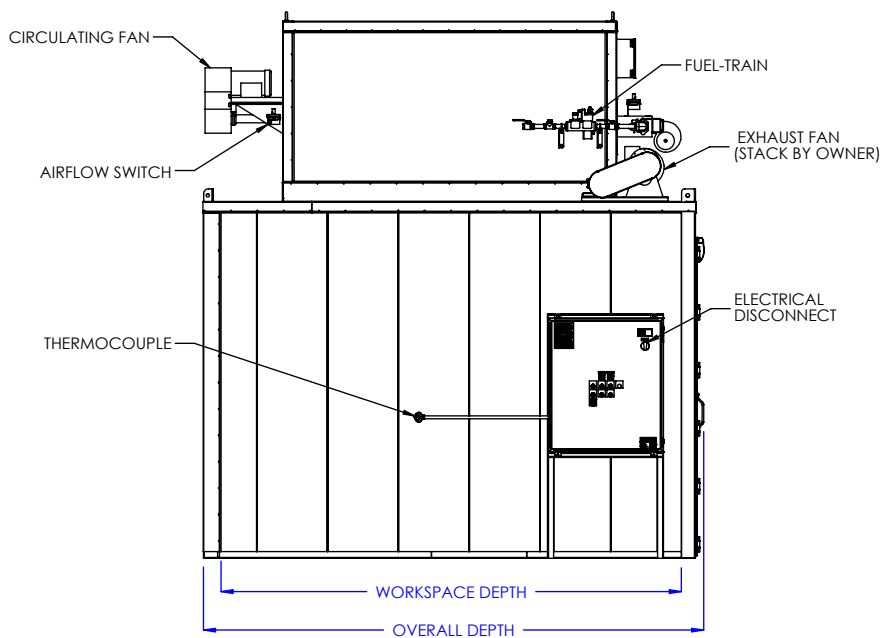
PAGE: 4 of 5



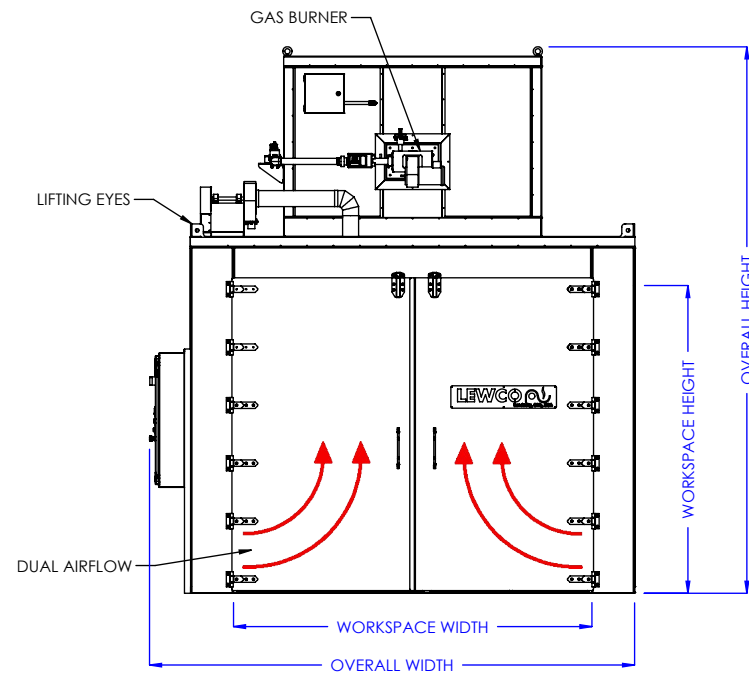
706 LANE ST. SANDUSKY, OH 44870, U.S.A.



PLAN VIEW



LEFT SIDE ELEVATION



FRONT ELEVATION

MODEL: SWT03FD

DESCRIPTION: NORMAL DUTY WALK-IN OVEN, TOP MOUNT HEATER, 350°F, FUEL-FIRED, DUAL AIRFLOW

WARNING: OVENS PROCESSING FLAMMABLE VOLATILES OR COMBUSTIBLE MATERIALS ARE CLASSIFIED BY NFPA 86 AS "CLASS A" OVENS AND REQUIRE SPECIFIC SAFETY FEATURES. KNOW THE PROPERTIES OF THE MATERIALS BEING HEATED. EXPLOSION OR FIRE MAY RESULT FROM MISAPPLICATION.

LEWCO, INC. IS COMMITTED TO CONTINUOUS IMPROVEMENT AND RESERVES THE RIGHT TO CHANGE DESIGNS AND SPECIFICATIONS WITHOUT NOTICE.

THIS DRAWING MUST NOT BE COPIED, REPRODUCED OR USED FOR ANY PURPOSE WITHOUT THE WRITTEN CONSENT OF LEWCO, INC. ALL RIGHTS RESERVED.

DATE: 7/6/2017

REV. 001

PAGE: 5 of 5



706 LANE ST. SANDUSKY, OH 44870, U.S.A.