



Model: SWT05FD

Normal Duty Walk-In Oven

LEWCO Normal-Duty Batch Ovens are designed for common applications, such as pre-heating, drying, and baking. These models offer quality and performance at economical prices. Heavy-duty construction and industry standard components yield durable and reliable equipment. The SWT series features a top-mounted heater box, which creates a smaller footprint and permits pass-through processing with optional rear doors. Each unit is fully assembled, wired, and tested prior to shipment. All LEWCO ovens are manufactured to meet the requirements of NFPA 86.

Operating Temperature

- 200°F - 500°F (93°C -260°C)

Heating Source & Capacity

- Direct fired natural gas, modulating burner with direct coupled, digital actuated control valve provides visual indication of valve position.
- High turndown ratio allows rapid heat-up and tight temperature control
- Low CO and NOX emissions
- F.M. compliant fuel train

Airflow Pattern

- Dual Airflow: Hot air is supplied from both of the side walls and returned through a top plenum.

General Construction

- 16 ga. aluminized steel interior
- 18 ga. cold rolled steel exterior
- Heat loss is minimized by a unique wall design featuring a welded inner shell and a completely isolated outer frame and covers.

Finish

- Blue or gray alkyd enamel
- Optional: Premium finish for corrosive environments

Doors

- Heavy-duty doors on an isolated door frame minimize heat loss. Wire core gaskets create a tight seal for efficient heating.
- Explosion venting latches
- Standard: Bi-parting swing doors
- Optional:
 - Vertical lift guillotine door
 - Door windows

Floor

- Standard: 12 ga. plate floor
- Optional:
 - 12 ga. plate floor with (1) pair inverted angle track
 - 12 ga. plate floor with (1) pair 6" wide wheel guides
 - Insulated (100 p.s.f. max.)
 - Insulated with (1) pair inverted angle track
 - Insulated with (1) pair 6" wide wheel guides
 - No floor

Input Voltage

- Standard 480/3/60
- Please consult factory for other available options.

Controls

- Single set-point temperature controller and redundant high-limit controller
- NEMA 12 enclosure with full voltage lockable disconnect switch
- Circulation fan(s) include air proving circuits that are electrically interlocked with the heating circuit.
- Controls are wired to NFPA 70 and 79 electrical standards, and meet the requirements of NFPA 86, Class B ovens.
- Optional:
 - Door Switch
 - Batch Timer
 - Ramp/ Soak controller
 - Data logger/ chart recorder
 - Zero speed switch for fans
 - Composite curing controls

Quality Assurance

- Each unit comes complete with a (1) year warranty and is fully assembled, wired, and tested prior to shipment.
- Unit manufactured under ISO 9001 Quality Certified System.



Industrial Batch Ovens

Model: SWT05FD

Model (NFPA Class B)	Overall Dimensions			Door Swing Radius	Workspace Dimensions			Workspace Volume (cubic ft.)	Burner (BTU/ Hr)	Circulating Fan(s) (CFM)	Motor(s) (HP)	Air Changes per Minute	Exhaust Fan Capacity (CFM)	Exhaust Motor (HP)	Solvents per Batch (Gals.)	Ships Fully Assembled
	"W	"D	"H		"W	"D	"H									
SWT05FD-48-48-60 *	70	59	116	24"	48	48	60	80	200,000	1,000	1	12.50	100	1/4	0	Yes
SWT05FD-48-48-72 *	70	59	128	24"	48	48	72	96	200,000	1,400	1	14.58	100	1/4	0	Yes
SWT05FD-48-48-96 *	70	59	152	24"	48	48	96	128	200,000	1,700	1	13.28	100	1/4	0	Yes
SWT05FD-60-60-60 *	82	71	116	30"	60	60	60	125	200,000	1,400	1	11.20	100	1/4	0	Yes
SWT05FD-60-60-72 *	82	71	128	30"	60	60	72	150	200,000	1,700	1	11.33	100	1/4	0	Yes
SWT05FD-60-60-96 *	82	71	153	30"	60	60	96	200	200,000	2,500	2	12.50	100	1/4	0	Yes
SWT05FD-72-72-72 *	94	83	129	36"	72	72	72	216	200,000	2,500	2	11.57	100	1/4	0	Yes
SWT05FD-72-72-96	94	83	159	36"	72	72	96	288	200,000	3,500	3	12.15	100	1/4	0	Yes
SWT05FD-72-120-96	94	131	173	36"	72	120	96	480	400,000	5,500	3	11.46	250	1/4	0	Yes
SWT05FD-84-84-84	106	95	153	42"	84	84	84	343	400,000	4,000	3	11.66	250	1/4	0	Yes
SWT05FD-84-96-84	106	107	153	42"	84	96	84	392	400,000	4,500	3	11.48	250	1/4	0	Yes
SWT05FD-84-120-84	106	131	161	42"	84	120	84	490	400,000	5,500	3	11.22	250	1/4	0	Yes
SWT05FD-84-120-96	106	131	174	42"	84	120	96	560	400,000	7,000	5	12.50	250	1/4	0	Yes
SWT05FD-96-96-96	118	107	173	48"	96	96	96	512	400,000	6,000	3	11.72	250	1/4	0	No
SWT05FD-96-120-96	118	131	175	48"	96	120	96	640	700,000	8,000	5	12.50	500	1	0	No
SWT05FD-96-144-96	118	155	176	48"	96	144	96	768	700,000	9,000	7 1/2	11.72	500	1	0	No
SWT05FD-96-168-96	118	179	186	48"	96	168	96	896	700,000	12,000	7 1/2	13.39	500	1	0	No
SWT05FD-96-192-96	118	203	186	48"	96	192	96	1,024	700,000	12,000	8	11.72	500	1	0	No
SWT05FD-96-240-96	118	251	217	48"	96	240	120	1,600	700,000	16,000	10	12.50	500	1	0	No
SWT05FD-96-240-120	812	251	159	48"	96	240	120	1,600	1,000,000	18,000	15	11.25	500	1	0	No
SWT05FD-96-288-96	118	299	194	48"	96	288	96	1,536	1,000,000	18,000	15	11.72	500	1	0	No
SWT05FD-96-288-120	118	299	230	48"	96	288	120	1,920	1,000,000	22,000	15	11.46	500	1	0	No
SWT05FD-96-336-96	118	347	206	48"	96	336	96	1,792	1,000,000	22,000	15	12.28	500	1	0	No
SWT05FD-96-336-120	118	347	232	48"	96	336	120	2,240	1,000,000	26,000	15	11.61	500	1	0	No
SWT05FD-120-120-96	142	131	176	60"	120	120	96	800	700,000	9,000	7 1/2	11.25	500	1	0	No
SWT05FD-120-120-120	142	131	210	60"	120	120	120	1,000	700,000	12,000	7 1/2	12.00	500	1	0	No
SWT05FD-120-144-96	142	155	186	60"	120	144	96	960	700,000	12,000	7 1/2	12.50	500	1	0	No
SWT05FD-120-144-120	142	155	211	60"	120	144	120	1,200	700,000	14,000	10	11.67	500	1	0	No
SWT05FD-120-168-96	142	179	187	60"	120	168	96	1,120	700,000	14,000	10	12.50	500	1	0	No
SWT05FD-120-168-120	142	179	217	60"	120	168	120	1,400	700,000	16,000	10	11.43	500	1	0	No
SWT05FD-120-192-96	142	203	193	60"	120	192	96	1,280	700,000	16,000	10	12.50	500	1	0	No
SWT05FD-120-192-120	142	203	218	60"	120	192	120	1,600	1,000,000	18,000	15	11.25	500	1	0	No
SWT05FD-120-240-96	142	251	194	60"	120	240	96	1,600	1,000,000	18,000	15	11.25	500	1	0	No
SWT05FD-120-240-120	142	251	231	60"	120	240	120	2,000	1,000,000	24,000	15	12.00	500	1	0	No
SWT05FD-120-288-96	142	299	206	60"	120	288	96	1,920	1,000,000	22,000	15	11.46	500	1	0	No
SWT05FD-120-288-120	142	299	239	60"	120	288	120	2,400	1,000,000	28,000	15	11.67	500	1	0	No
SWT05FD-120-336-96	142	347	208	60"	120	336	96	2,240	1,000,000	26,000	15	11.61	500	1	0	No
SWT05FD-120-336-120	142	347	240	60"	120	336	120	2,800	1,500,000	16000(x2)	10(x2)	11.41	750	1	0	No

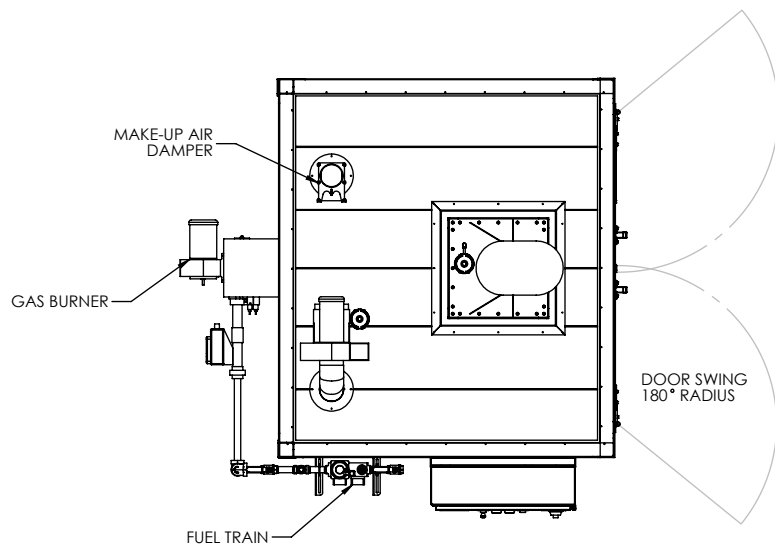
* Indicates Configuration Style #1. Refer to drawings on page 3 of 4

NOTE: Sizes are approximate. LEWCO, Inc. reserves the right to change specifications without notice.

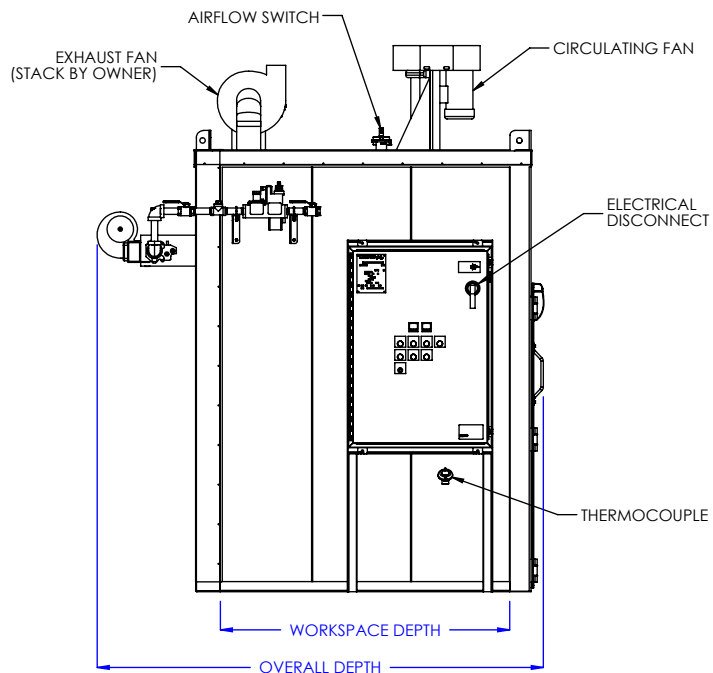
Model (NFPA Class A)	Overall Dimensions			Door Swing Radius	Workspace Dimensions			Workspace Volume (cubic ft.)	Burner (BTU/ Hr)	Circulating Fan(s) (CFM)	Motor(s) (HP)	Air Changes per Minute	Exhaust Fan Capacity (CFM)	Exhaust Motor (HP)	Solvents per Batch (Gals.)	Ships Fully Assembled
	"W	"D	"H		"W	"D	"H									
SWT05FD-48-48-60 *	70	59	116	24"	48	48	60	80	200,000	1,000	1	12.50	250	1/4	0.05	Yes
SWT05FD-48-48-72 *	70	59	128	24"	48	48	72	96	200,000	1,400	1	14.58	250	1/4	0.05	Yes
SWT05FD-48-48-96 *	70	59	152	24"	48	48	96	128	200,000	1,700	1	13.28	250	1/4	0.05	Yes
SWT05FD-60-60-60 *	82	71	116	30"	60	60	60	125	200,000	1,400	1	11.20	250	1/4	0.05	Yes
SWT05FD-60-60-72 *	82	71	128	30"	60	60	72	150	200,000	1,700	1	11.33	250	1/4	0.05	Yes
SWT05FD-60-60-96 *	82	71	153	30"	60	60	96	200	200,000	2,500	2	12.50	250	1/4	0.05	Yes
SWT05FD-72-72-72 *	94	83	129	36"	72	72	72	216	200,000	2,500	2	11.57	250	1/4	0.05	Yes
SWT05FD-72-72-96	94	83	159	36"	72	72	96	288	200,000	3,500	3	12.15	250	1/4	0.05	Yes
SWT05FD-72-120-96	94	131	173	36"	72	120	96	480	400,000	5,500	3	11.46	500	1	0.08	Yes
SWT05FD-84-84-84	106	95	153	42"	84	84	84	343	400,000	4,000	3	11.66	500	1	0.08	Yes
SWT05FD-84-96-84	106	107	153	42"	84	96	84	392	400,000	4,500	3	11.48	500	1	0.08	Yes
SWT05FD-84-120-84	106	131	161	42"	84	120	84	490	400,000	5,500	3	11.22	500	1	0.21	Yes
SWT05FD-84-120-96	106	131	174	42"	84	120	96	560	400,000	7,000	5	12.50	500	1	0.21	Yes
SWT05FD-96-96-96	118	107	173	48"	96	96	96	512	400,000	6,000	3	11.72	500	1	0.21	No
SWT05FD-96-120-96	118	131	175	48"	96	120	96	640	700,000	8,000	5	12.50	750	1	0.21	No
SWT05FD-96-144-96	118	155	176	48"	96	144	96	768	700,000	9,000	7 1/2	11.72	750	1	0.21	No
SWT05FD-120-120-96	142	131	176	60"	120	120	96	800	700,000	9,000	7 1/2	11.25	750	1	0.21	No
SWT05FD-120-120-120	142	131	210	60"	120	120	120	1,000	700,000	12,000	7 1/2	12.00	750	1	0.21	No
SWT05FD-120-144-96	142	155	186	60"	120	144	96	960	700,000	12,000	7 1/2	12.50	750	1	0.21	No
SWT05FD-120-144-120	164	155	157	60"	120	144	120	1,200	700,000	14,000	10	11.67	750	1	0.21	No
SWT05FD-120-168-96	142	179	187	60"	120	168	96	1,120	700,000	14,000	10	12.50	750	1	0.21	No
SWT05FD-120-168-120	142	179	217	60"	120	168	120	1,400	700,000	16,000	10	11.43	1,000	1 1/2	0.42	No
SWT05FD-120-192-96	142	203	193	60"	120	192	96	1,280	700,000	16,000	10	12.50	1,000	1 1/2	0.42	No
SWT05FD-120-192-120	142	203	218	60"	120	192	120	1,600	1,000,000	18,000	15	11.25	1,500	2	0.65	No
SWT05FD-120-240-96	142	251	194	60"	120	240	96	1,600	1,000,000	18,000	15	11.25	1,500	2	0.65	No
SWT05FD-120-240-120	142	251	231	60"	120	240	120	2,000	1,000,000	24,000	15	12.00	1,500	2	0.65	No
SWT05FD-120-288-96	142	299	206	60"	120	288	96	1,920	1,000,000	22,000	15	11.46	1,500	2	0.65	No
SWT05FD-120-288-120	142	299	239	60"	120	288	120	2,400	1,000,000	28,000	15	11.67	1,500	2	0.65	No
SWT05FD-120-336-96	142	347	215	60"	120	336	96	2,240	1,500,000	26,000	15	11.60	1,500	2	0.65	No
SWT05FD-120-336-120	142	347	240	60"	120	336	120	2,800	1,500,000	16000(x2)	10(x2)	11.41	1,500	2	0.65	No

* Indicates Configuration Style #1. Refer to drawings on page 3 of 4

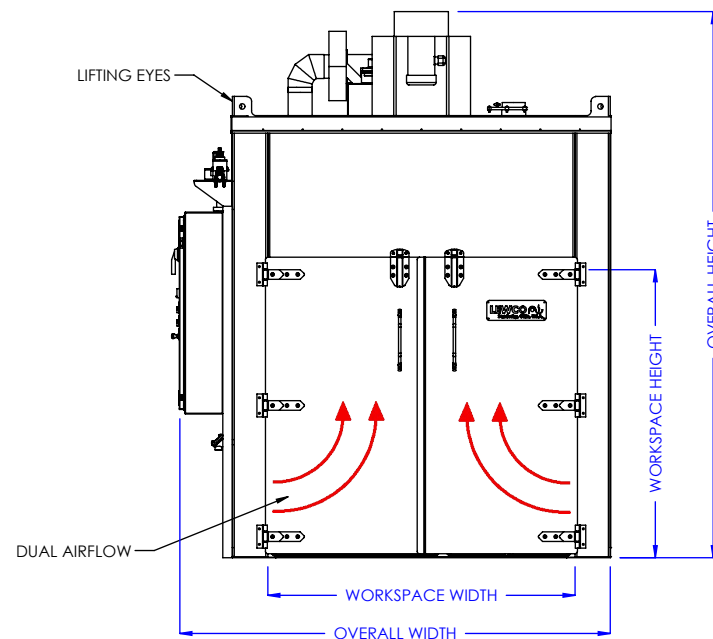
NOTE: Sizes are approximate. LEWCO, Inc. reserves the right to change specifications without notice.



PLAN VIEW



LEFT SIDE ELEVATION



FRONT ELEVATION

MODEL: SWT05FD

DESCRIPTION: NORMAL DUTY WALK-IN OVEN, TOP MOUNT HEATER, 500°F, FUEL-FIRED, DUAL AIRFLOW

WARNING: OVENS PROCESSING FLAMMABLE VOLATILES OR COMBUSTIBLE MATERIALS ARE CLASSIFIED BY NFPA 86 AS "CLASS A" OVENS AND REQUIRE SPECIFIC SAFETY FEATURES. KNOW THE PROPERTIES OF THE MATERIALS BEING HEATED. EXPLOSION OR FIRE MAY RESULT FROM MISAPPLICATION.

LEWCO, INC. IS COMMITTED TO CONTINUOUS IMPROVEMENT AND RESERVES THE RIGHT TO CHANGE DESIGNS AND SPECIFICATIONS WITHOUT NOTICE.

THIS DRAWING MUST NOT BE COPIED, REPRODUCED OR USED FOR ANY PURPOSE WITHOUT THE WRITTEN CONSENT OF LEWCO, INC. ALL RIGHTS RESERVED.

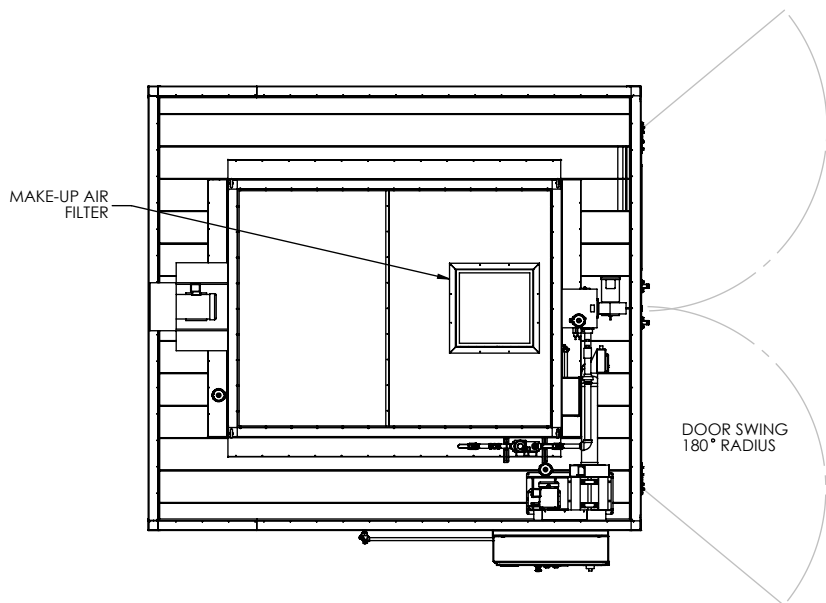
DATE: 10/11/2017

REV. 001

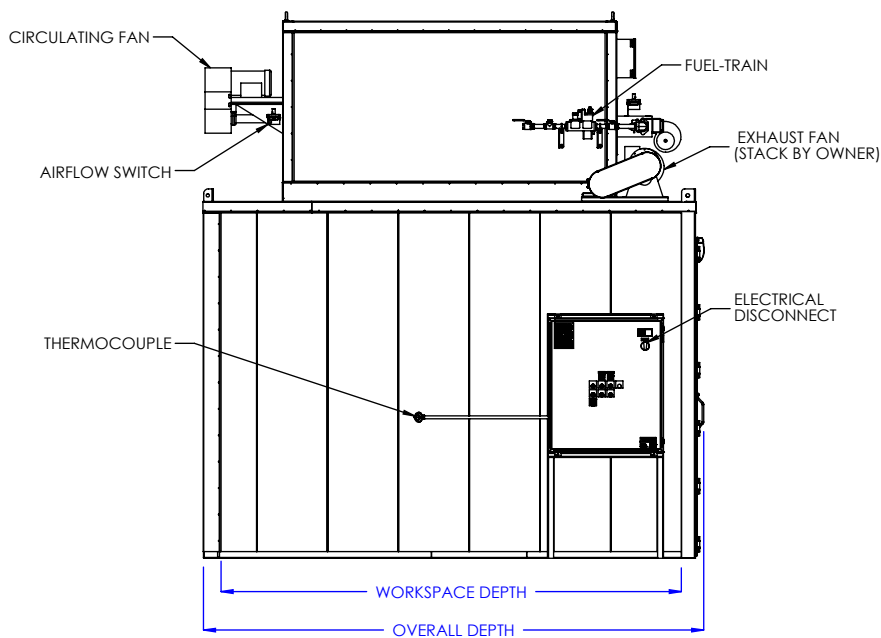
PAGE: 4 of 5



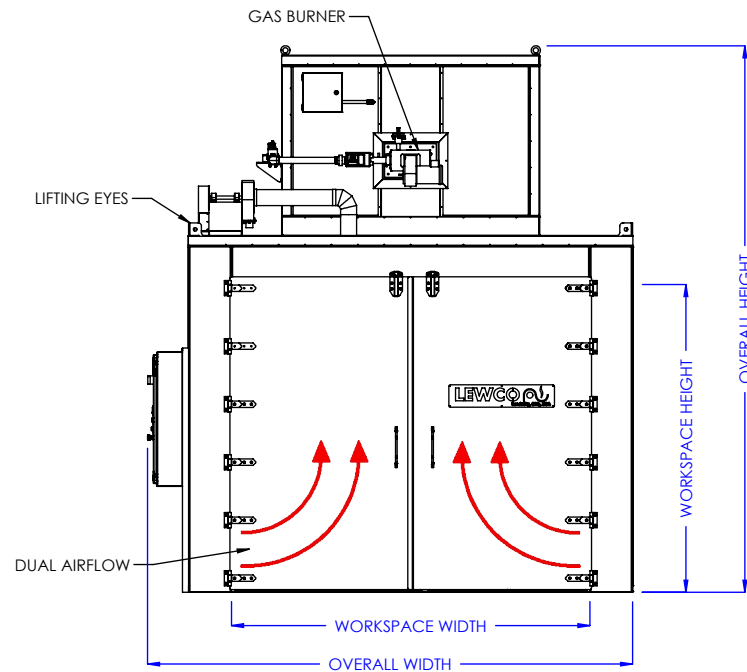
706 LANE ST. SANDUSKY, OH 44870, U.S.A.



PLAN VIEW



LEFT SIDE ELEVATION



FRONT ELEVATION

MODEL: SWT05FD

DESCRIPTION: NORMAL DUTY WALK-IN OVEN, TOP MOUNT HEATER, 500°F, FUEL-FIRED, DUAL AIRFLOW

WARNING: OVENS PROCESSING FLAMMABLE VOLATILES OR COMBUSTIBLE MATERIALS ARE CLASSIFIED BY NFPA 86 AS "CLASS A" OVENS AND REQUIRE SPECIFIC SAFETY FEATURES. KNOW THE PROPERTIES OF THE MATERIALS BEING HEATED. EXPLOSION OR FIRE MAY RESULT FROM MISAPPLICATION.

LEWCO, INC. IS COMMITTED TO CONTINUOUS IMPROVEMENT AND RESERVES THE RIGHT TO CHANGE DESIGNS AND SPECIFICATIONS WITHOUT NOTICE.

THIS DRAWING MUST NOT BE COPIED, REPRODUCED OR USED FOR ANY PURPOSE WITHOUT THE WRITTEN CONSENT OF LEWCO, INC. ALL RIGHTS RESERVED.

DATE: 7/6/2017

REV. 001

PAGE: 5 of 5



706 LANE ST. SANDUSKY, OH 44870, U.S.A.