



Model: SWT06FH

Normal Duty Walk-In Oven

LEWCO Normal-Duty Batch Ovens are designed for common applications, such as pre-heating, drying, and baking. These models offer quality and performance at economical prices. Heavy-duty construction and industry standard components yield durable and reliable equipment. The SWT series features a top-mounted heater box, which creates a smaller footprint and permits pass-through processing with optional rear doors. Each unit is fully assembled, wired, and tested prior to shipment. All LEWCO ovens are manufactured to meet the requirements of NFPA 86.

Operating Temperature

- 200°F - 650°F (93°C -343°C)

Heating Source & Capacity

- Direct fired natural gas, modulating burner with direct coupled, digital actuated control valve provides visual indication of valve position.
- High turndown ratio allows rapid heat-up and tight temperature control
- Low CO and NOX emissions
- F.M. compliant fuel train

Airflow Pattern

- Horizontal Airflow: Hot air is supplied from one of the side wall and pulled across horizontally to the opposite side wall.

General Construction

- 16 ga. aluminized steel interior
- 18 ga. cold rolled steel exterior
- Heat loss is minimized by a unique wall design featuring a welded inner shell and a completely isolated outer frame and covers.

Finish

- Blue or gray alkyd enamel
- Optional: Premium finish for corrosive environments

Doors

- Heavy-duty doors on an isolated door frame minimize heat loss. Wire core gaskets create a tight seal for efficient heating.
- Explosion venting latches
- Standard: Bi-parting swing doors
- Optional:
 - Vertical lift guillotine door
 - Door windows

Floor

- Standard: 12 ga. plate floor
- Optional:
 - 12 ga. plate floor with (1) pair inverted angle track
 - 12 ga. plate floor with (1) pair 6" wide wheel guides
 - Insulated (100 p.s.f. max.)
 - Insulated with (1) pair inverted angle track
 - Insulated with (1) pair 6" wide wheel guides
 - No floor

Input Voltage

- Standard 480/3/60
- Please consult factory for other available options.

Controls

- Single set-point temperature controller and redundant high-limit controller
- NEMA 12 enclosure with full voltage lockable disconnect switch
- Circulation fan(s) include air proving circuits that are electrically interlocked with the heating circuit.
- Controls are wired to NFPA 70 and 79 electrical standards, and meet the requirements of NFPA 86, Class B ovens.
- Optional:
 - Door Switch
 - Batch Timer
 - Ramp/ Soak controller
 - Data logger/ chart recorder
 - Zero speed switch for fans
 - Composite curing controls

Quality Assurance

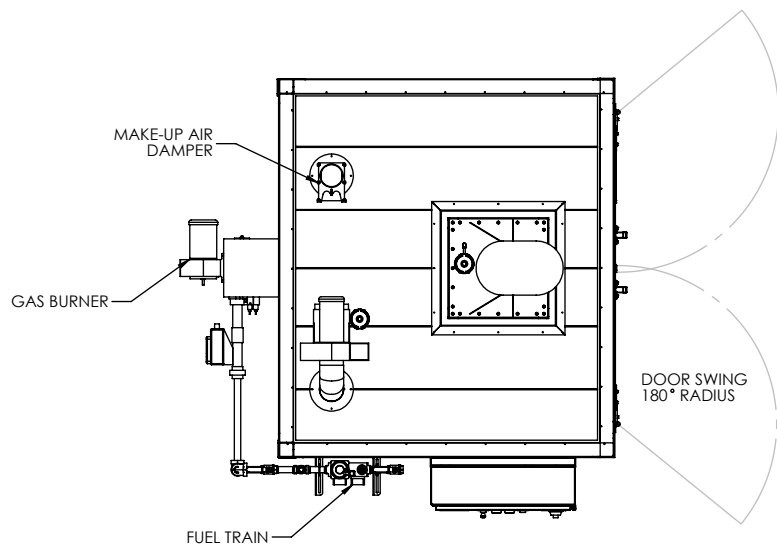
- Each unit comes complete with a (1) year warranty and is fully assembled, wired, and tested prior to shipment.
- Unit manufactured under ISO 9001 Quality Certified System.

Model (NFPA Class B)	Overall Dimensions			Door Swing Radius	Workspace Dimensions			Workspace Volume (cubic ft.)	Burner (BTU/ Hr)	Circulating Fan (CFM)	Motor (HP)	Air Changes per Minute	Exhaust Fan Capacity (CFM)	Exhaust Motor (HP)	Solvents per Batch (Gals.)	Ships Fully Assembled
	"W	"D	"H		"W	"D	"H									
SWT06FH-48-48-60 *	79	61	174	24"	48	48	60	80	200,000	1,700	1	21.25	250	1/4	0	Yes
SWT06FH-48-48-72 *	81	61	186	24"	48	48	72	96	200,000	2,000	1 1/2	20.83	250	1/4	0	Yes
SWT06FH-48-48-96 *	83	61	210	24"	48	48	96	128	200,000	2,500	2	19.53	250	1/4	0	Yes
SWT06FH-48-72-72 *	83	85	187	24"	48	72	72	144	200,000	3,000	2	20.83	250	1/4	0	Yes
SWT06FH-48-72-96 *	85	85	214	24"	48	72	96	192	200,000	4,000	3	20.83	250	1/4	0	No
SWT06FH-48-96-72 *	85	109	190	24"	48	96	72	192	200,000	4,000	3	20.83	250	1/4	0	No
SWT06FH-48-96-96 *	89	109	218	24"	48	96	96	256	400,000	5,000	3	19.53	250	1/4	0	No
SWT06FH-60-60-60 *	95	73	174	30"	60	60	60	125	200,000	2,500	2	20.00	250	1/4	0	Yes
SWT06FH-60-60-72 *	95	73	187	30"	60	60	72	150	200,000	3,000	2	20.00	250	1/4	0	Yes
SWT06FH-60-60-96 *	97	73	214	30"	60	60	96	200	400,000	4,000	3	20.00	250	1/4	0	Yes
SWT06FH-60-72-72 *	97	85	187	30"	60	72	72	180	200,000	3,500	3	19.44	250	1/4	0	Yes
SWT06FH-60-72-96 *	99	85	218	30"	60	72	96	240	400,000	4,500	3	18.75	250	1/4	0	No
SWT06FH-60-96-96 *	103	109	220	30"	60	96	96	320	400,000	6,000	3	18.75	250	1/4	0	No
SWT06FH-72-72-72 *	109	85	190	36"	72	72	72	216	400,000	4,000	3	18.52	250	1/4	0	Yes
SWT06FH-72-72-96	113	85	220	36"	72	72	96	288	400,000	5,500	3	19.10	250	1/4	0	No
SWT06FH-72-96-96	121	109	220	36"	72	96	96	384	400,000	8,000	5	20.83	250	1/4	0	No
SWT06FH-72-120-96	125	133	220	36"	72	120	96	480	400,000	9,000	7 1/2	18.75	250	1/4	0	No

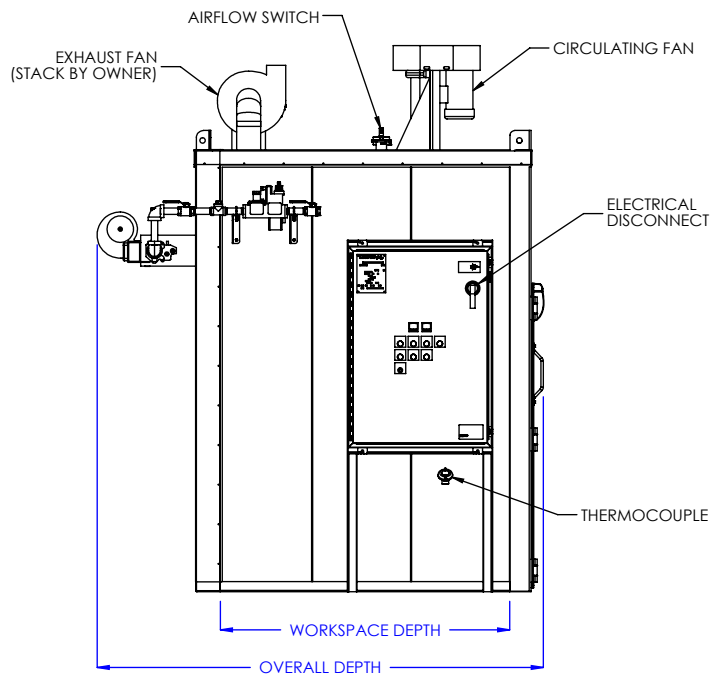
Model (NFPA Class A)	Overall Dimensions			Door Swing Radius	Workspace Dimensions			Workspace Volume (cubic ft.)	Burner (BTU/ Hr)	Circulating Fan(s) (CFM)	Motor(s) (HP)	Air Changes per Minute	Exhaust Fan Capacity (CFM)	Exhaust Motor (HP)	Solvents per Batch (Gals.)	Ships Fully Assembled
	"W	"D	"H		"W	"D	"H									
SWT06FH-48-48-60 *	79	61	174	24"	48	48	60	80	200,000	1,700	1	21.25	250	1/4	0.04	Yes
SWT06FH-48-48-72 *	81	61	186	24"	48	48	72	96	200,000	2,000	1 1/2	20.83	250	1/4	0.04	Yes
SWT06FH-48-48-96 *	83	61	210	24"	48	48	96	128	200,000	2,500	2	19.53	250	1/4	0.04	Yes
SWT06FH-48-72-72 *	83	85	187	24"	48	72	72	144	200,000	3,000	2	20.83	250	1/4	0.04	Yes
SWT06FH-48-72-96 *	85	85	214	24"	48	72	96	192	200,000	4,000	3	20.83	250	1/4	0.04	No
SWT06FH-48-96-72 *	85	109	190	24"	48	96	72	192	200,000	4,000	3	20.83	500	1/4	0.04	No
SWT06FH-48-96-96 *	89	109	218	24"	48	96	96	256	400,000	5,000	3	19.53	250	1	0.04	No
SWT06FH-60-60-60 *	95	73	174	30"	60	60	60	125	200,000	2,500	2	20.00	250	1/4	0.04	Yes
SWT06FH-60-60-72 *	95	73	187	30"	60	60	72	150	200,000	3,000	2	20.00	250	1/4	0.04	Yes
SWT06FH-60-60-96 *	97	73	214	30"	60	60	96	200	400,000	4,000	3	20.00	500	1	0.04	Yes
SWT06FH-60-72-72 *	97	85	187	30"	60	72	72	180	200,000	3,500	3	19.44	250	1/4	0.04	Yes
SWT06FH-60-72-96 *	99	85	218	30"	60	72	96	240	400,000	4,500	3	18.75	500	1	0.04	No
SWT06FH-60-96-96 *	103	109	220	30"	60	96	96	320	400,000	6,000	3	18.75	500	1	0.04	No
SWT06FH-72-72-72 *	109	85	190	36"	72	72	72	216	400,000	4,000	3	18.52	500	1	0.04	Yes
SWT06FH-72-72-96	113	85	220	36"	72	72	96	288	400,000	5,500	3	19.10	500	1	0.04	No
SWT06FH-72-96-96	121	109	220	36"	72	96	96	384	400,000	8,000	5	20.83	500	1	0.07	No
SWT06FH-72-120-96	125	133	220	36"	72	120	96	480	400,000	9,000	7 1/2	18.75	500	1	0.07	No

* Indicates Configuration Style #1. Refer to drawings on page 3 of 4

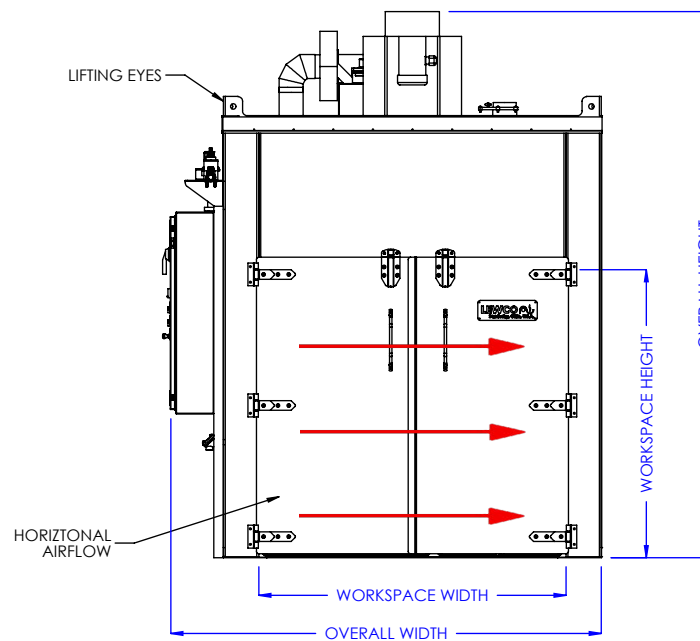
NOTE: Sizes are approximate. LEWCO, Inc. reserves the right to change specifications without notice.



PLAN VIEW



LEFT SIDE ELEVATION



FRONT ELEVATION

MODEL: SWT06FH

DESCRIPTION: NORMAL DUTY WALK-IN OVEN, TOP MOUNT HEATER, 650°F, FUEL-FIRED, HORIZONTAL AIRFLOW

WARNING: OVENS PROCESSING FLAMMABLE VOLATILES OR COMBUSTIBLE MATERIALS ARE CLASSIFIED BY NFPA 86 AS "CLASS A" OVENS AND REQUIRE SPECIFIC SAFETY FEATURES. KNOW THE PROPERTIES OF THE MATERIALS BEING HEATED. EXPLOSION OR FIRE MAY RESULT FROM MISAPPLICATION.

LEWCO, INC. IS COMMITTED TO CONTINUOUS IMPROVEMENT AND RESERVES THE RIGHT TO CHANGE DESIGNS AND SPECIFICATIONS WITHOUT NOTICE.

THIS DRAWING MUST NOT BE COPIED, REPRODUCED OR USED FOR ANY PURPOSE WITHOUT THE WRITTEN CONSENT OF LEWCO, INC. ALL RIGHTS RESERVED.

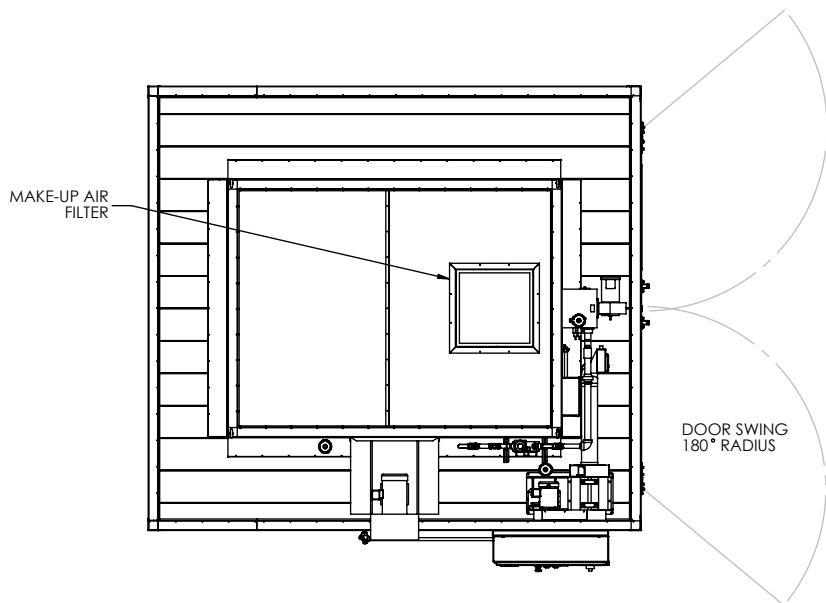
DATE: 10/11/2017

REV. 001

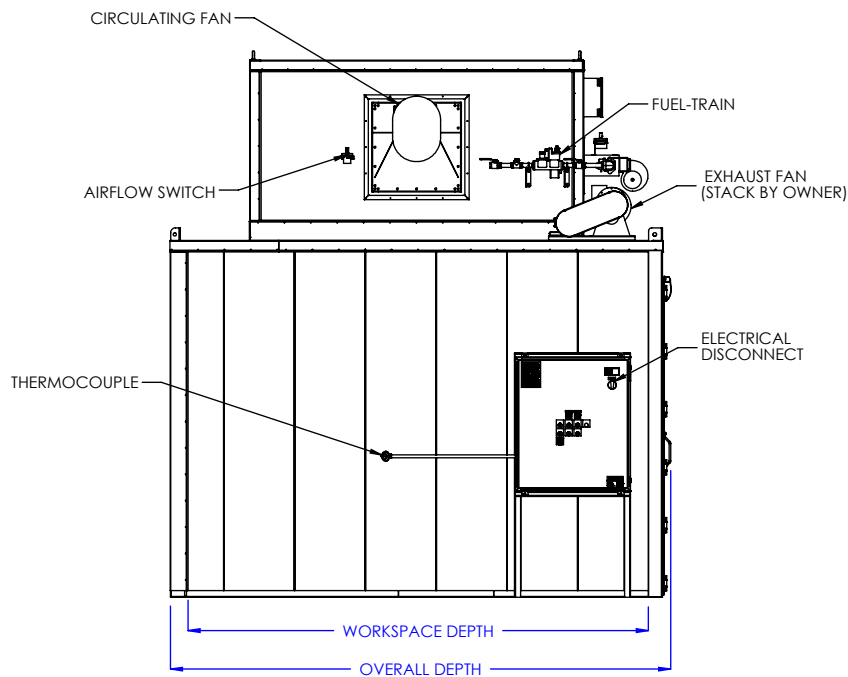
PAGE: 3 of 4



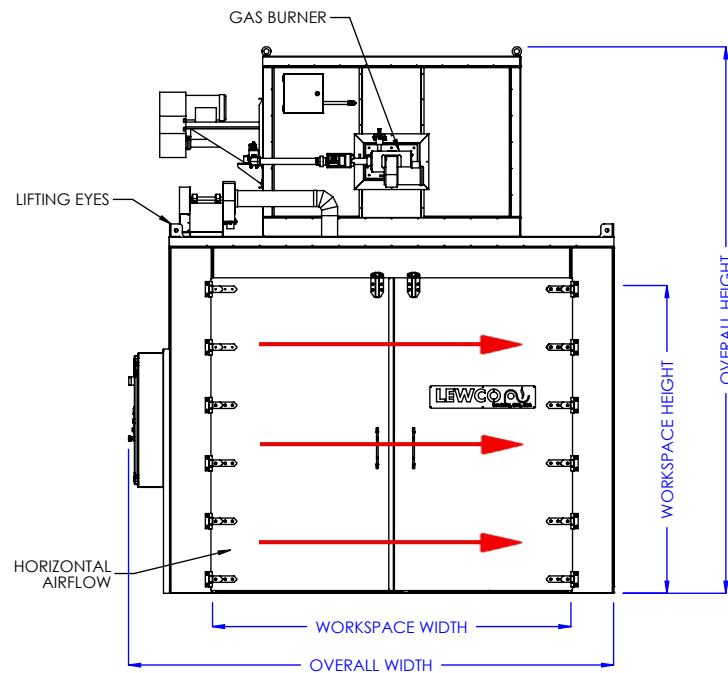
706 LANE ST. SANDUSKY, OH 44870, U.S.A.



PLAN VIEW



LEFT SIDE ELEVATION



FRONT ELEVATION

MODEL: SWT06FH

DESCRIPTION: NORMAL DUTY WALK-IN OVEN, TOP MOUNT HEATER, 650°F, FUEL-FIRED, HORIZONTAL AIRFLOW

WARNING: OVENS PROCESSING FLAMMABLE VOLATILES OR COMBUSTIBLE MATERIALS ARE CLASSIFIED BY NFPA 86 AS "CLASS A" OVENS AND REQUIRE SPECIFIC SAFETY FEATURES. KNOW THE PROPERTIES OF THE MATERIALS BEING HEATED. EXPLOSION OR FIRE MAY RESULT FROM MISAPPLICATION.

LEWCO, INC. IS COMMITTED TO CONTINUOUS IMPROVEMENT AND RESERVES THE RIGHT TO CHANGE DESIGNS AND SPECIFICATIONS WITHOUT NOTICE.

THIS DRAWING MUST NOT BE COPIED, REPRODUCED OR USED FOR ANY PURPOSE WITHOUT THE WRITTEN CONSENT OF LEWCO, INC. ALL RIGHTS RESERVED.

DATE: 7/6/2017

REV. 001

PAGE: 4 of 4



706 LANE ST. SANDUSKY, OH 44870, U.S.A.