



**Low Profile**

Model: EC04LG2 – 2<sup>nd</sup> Generation Model

### (4) Drum Hot Box, Electric

These models offer a standard, cost-effective solution for melting, viscosity reduction, elevated temperature storage, or general industrial heating applications. Second Generation hot boxes are safer than original hot boxes since the electric heating elements are located outside the workspace chamber. The Low Profile design allows for convenient loading with a pallet jack or drum dolly. All models feature our signature all-welded steel, heavy-duty construction, and simple, user-friendly controls. This model is not suitable for heating flammable or combustible materials or for installation in electrically hazardous locations. Consult factory for non-standard safety features required for compliance with NFPA 86.

#### Capacity

- (4) 55-gallon drums palletized
- 2,700 lbs. per pallet

#### Operating Temperature

- 125°F - 300°F
- Consult factory for applications below 125°F

#### Construction/ Features

- Welded, 1/8" steel shell
- Optional: Stainless steel
- 12 ga. Plate steel floor
- Insulation: 3" x 6# mineral wool
- Heavy duty door with strap hinges, 2-point latch system, and high-temperature silicone rubber gaskets create a tight seal for efficient heating.
- Interior door release for safety

#### Finish

- Blue or gray alkyd enamel
- Optional: Premium finish for corrosive environments.

#### Heat Source & Capacity

- Electric, low watt density Incoloy® heaters provide years of trouble-free service.
- 9 kW

#### Circulating Fan

- 2,000 CFM, 1.5 HP TEFC motor

#### Controls

- Single set-point temperature controller and redundant high-limit controller.
- NEMA 12 enclosure with full voltage lockable disconnect switch.
- Circulation fan(s) include air proving circuits that are electrically interlocked with the heating circuit.
- Controls are wired to NFPA 70 and 79 electrical standards.
- Optional:
  - Batch Timer
  - Data Logger
  - Door Switch

#### Electrical Requirements

- Voltage: 480/3/60
- Disconnect: 30 amps
- Other voltages available

#### Shipping & Installation

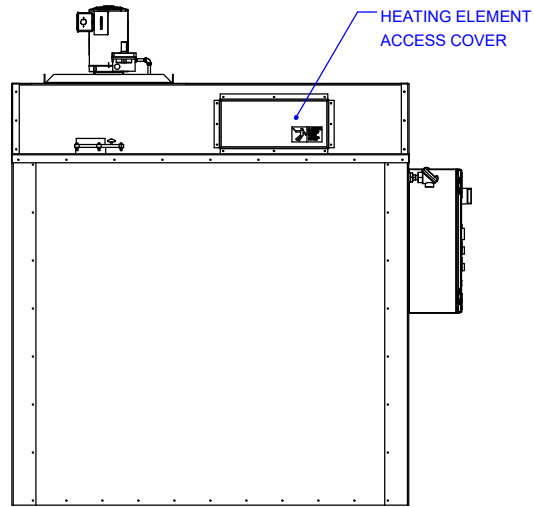
- Ships completely assembled.
- Shipping weight: 2,200 lbs.
- Suitable for indoor use only.

#### Additional Options

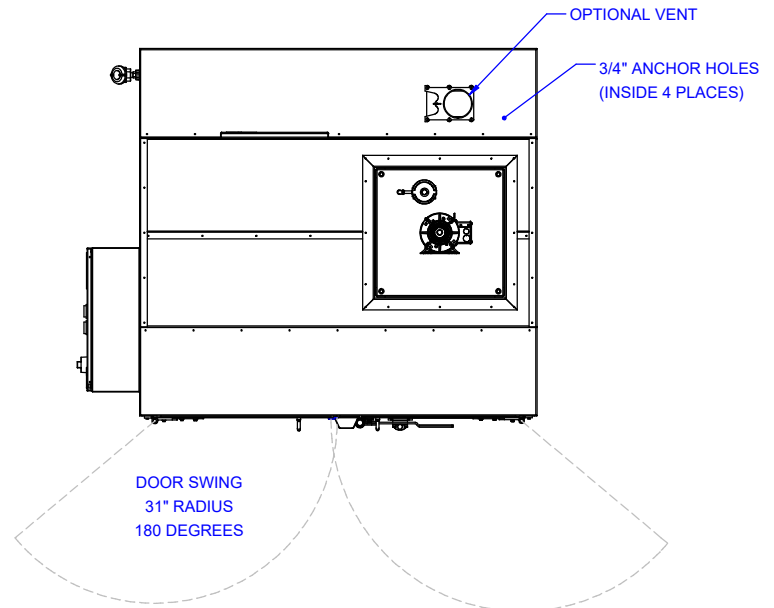
- 5" exhaust vent with damper
- UL or CSA Certification
- Custom sizes and features available. Please consult a LEWCO Applications Engineer for more information.

#### Quality Assurance

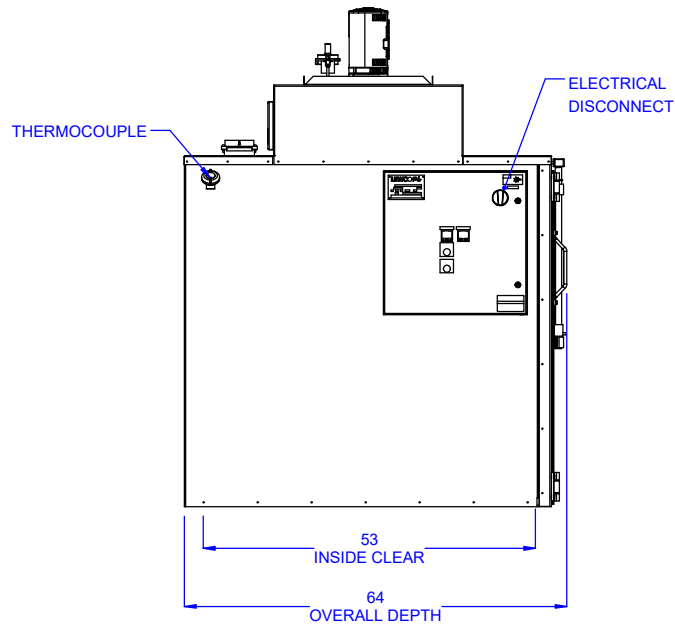
- Manufactured under an ISO 9001 Certified Quality System
- Each unit comes complete with a (3) year warranty and is fully assembled, wired, and tested prior to shipment.



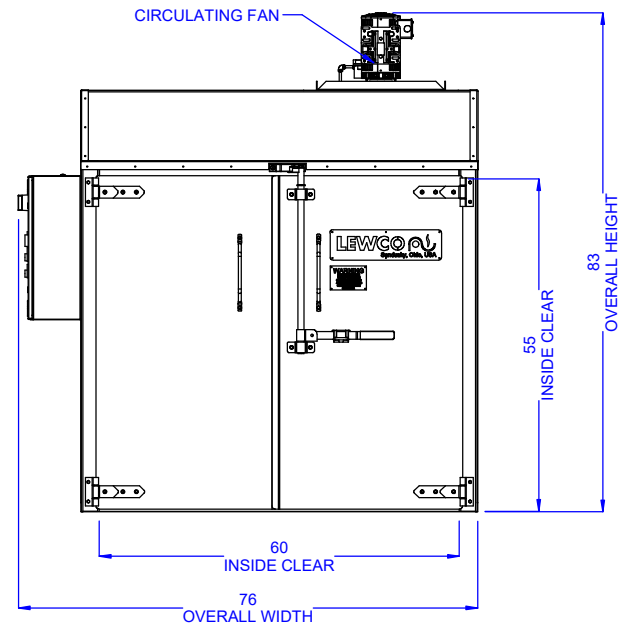
REAR ELEVATION



PLAN VIEW



LEFT SIDE ELEVATION



FRONT ELEVATION

MODEL: EEC04L

DESCRIPTION: ELECTRIC DRUM HEATING CABINET, 4 DRUM, LOW PROFILE

LEWCO, INC. IS COMMITTED TO CONTINUOUS IMPROVEMENT AND RESERVES THE RIGHT TO CHANGE DESIGNS AND SPECIFICATIONS WITHOUT NOTICE.

THIS DRAWING MUST NOT BE COPIED, REPRODUCED OR USED FOR ANY PURPOSE WITHOUT THE WRITTEN CONSENT OF LEWCO, INC. ALL RIGHTS RESERVED.



706 LANE ST. SANDUSKY, OH 44870, U.S.A.