



Model: SWT05ED

Normal Duty Walk-In Oven

LEWCO Normal-Duty Batch Ovens are designed for common applications, such as pre-heating, drying, and baking. These models offer quality and performance at economical prices. Heavy-duty construction and industry standard components yield durable and reliable equipment. The SWT series features a top-mounted heater box, which creates a smaller footprint and permits pass-through processing with optional rear doors. Each unit is fully assembled, wired, and tested prior to shipment. All LEWCO ovens are manufactured to meet the requirements of NFPA 86.

Operating Temperature

- 150°F - 500°F (66°C -260°C)

Heating Source & Capacity

- Electric, low watt density Incoloy® heaters provide years of trouble free service.
- Standard heater bank assemblies are installed in high velocity ductwork to maximize heat transfer.

Airflow Pattern

- Dual Airflow: Hot air is supplied from both of the side walls and returned through a top plenum.

General Construction

- 16 ga. aluminized steel interior
- 18 ga. cold rolled steel exterior
- Heat loss is minimized by a unique wall design featuring a welded inner shell and a completely isolated outer frame and covers.

Finish

- Blue or gray alkyd enamel
- Optional: Premium finish for corrosive environments

Doors

- Heavy-duty doors on an isolated door frame minimize heat loss. Wire core gaskets create a tight seal for efficient heating.
- Explosion venting latches
- Standard: Bi-parting swing doors
- Optional:
 - Vertical lift guillotine door
 - Door windows

Floor

- Standard: 12 ga. plate floor
- Optional:
 - 12 ga. plate floor with (1) pair inverted angle track
 - 12 ga. plate floor with (1) pair 6" wide wheel guides
 - Insulated (100 p.s.f. max.)
 - Insulated with (1) pair inverted angle track
 - Insulated with (1) pair 6" wide wheel guides
 - No floor

Input Voltage

- Standard 480/3/60
- Please consult factory for other available options.

Controls

- Single set-point temperature controller and redundant high-limit controller
- NEMA 12 enclosure with full voltage lockable disconnect switch
- Circulation fan(s) include air proving circuits that are electrically interlocked with the heating circuit.
- Controls are wired to NFPA 70 and 79 electrical standards, and meet the requirements of NFPA 86, Class B ovens.
- Optional:
 - Door Switch
 - Batch Timer
 - Ramp/ Soak controller
 - Data logger/ chart recorder
 - Zero speed switch for fans
 - Composite curing controls

Quality Assurance

- Each unit comes complete with a (1) year warranty and is fully assembled, wired, and tested prior to shipment.
- Unit manufactured under ISO 9001 Quality Certified System.

Model (NFPA Class B)	Overall Dimensions			Door Swing Radius	Workspace Dimensions			Workspace Volume (cubic ft.)	Heater Bank (kW)	Circulating Fan(s) (CFM)	Motor(s) (HP)	Air Changes per Minute	Exhaust Fan Capacity (CFM)	Exhaust Motor (HP)	Solvents per Batch (Gals.)	Ships Fully Assembled
	"W	"D	"H		"W	"D	"H									
SWT05ED-48-48-60 *	78	59	91	24"	48	48	60	80	36	1,000	1	12.50	N/A	N/A	0	Yes
SWT05ED-48-48-72 *	78	59	103	24"	48	48	72	96	36	1,400	1	14.58	N/A	N/A	0	Yes
SWT05ED-48-48-96 *	78	59	127	24"	48	48	96	128	45	1,700	1	13.28	N/A	N/A	0	Yes
SWT05ED-60-60-60 *	90	71	91	30"	60	60	60	125	36	1,400	1	11.20	N/A	N/A	0	Yes
SWT05ED-60-60-72 *	90	71	103	30"	60	60	72	150	45	1,700	1	11.33	N/A	N/A	0	Yes
SWT05ED-60-60-96 *	90	71	127	30"	60	60	96	200	54	2,500	2	12.50	N/A	N/A	0	Yes
SWT05ED-72-72-72 *	102	83	103	36"	72	72	72	216	54	2,500	2	11.57	N/A	N/A	0	Yes
SWT05ED-72-72-96 *	102	83	132	36"	72	72	96	288	63	3,500	3	12.15	N/A	N/A	0	Yes
SWT05ED-72-120-96	104	131	145	36"	72	120	96	480	81	5,500	3	11.46	N/A	N/A	0	No
SWT05ED-84-84-84	116	95	134	42"	84	84	84	343	63	4,000	3	11.66	N/A	N/A	0	Yes
SWT05ED-84-96-84	120	107	133	42"	84	96	84	392	72	4,500	3	11.48	N/A	N/A	0	Yes
SWT05ED-84-120-84	122	131	134	42"	84	120	84	490	81	5,500	3	11.22	N/A	N/A	0	Yes
SWT05ED-84-120-96	122	131	151	42"	84	120	96	560	90	7,000	5	12.50	N/A	N/A	0	No
SWT05ED-96-96-96	128	107	146	48"	96	96	96	512	81	6,000	3	11.72	N/A	N/A	0	No
SWT05ED-96-120-96	132	131	145	48"	96	120	96	640	99	8,000	5	12.50	N/A	N/A	0	No
SWT05ED-96-144-96	134	155	146	48"	96	144	96	768	108	9,000	7 1/2	11.72	N/A	N/A	0	No
SWT05ED-96-168-96	134	179	151	48"	96	168	96	896	126	12,000	7 1/2	11.16	N/A	N/A	0	No
SWT05ED-96-192-96	136	203	158	48"	96	192	96	1,024	135	12,000	8	11.72	N/A	N/A	0	No
SWT05ED-96-240-96	140	251	163	48"	96	240	96	1,280	162	16,000	10	12.50	N/A	N/A	0	No
SWT05ED-96-240-120	142	299	167	48"	96	240	120	1,600	180	18,000	15	11.25	N/A	N/A	0	No
SWT05ED-96-288-96	144	347	174	48"	96	288	96	1,536	189	18,000	15	11.72	N/A	N/A	0	No
SWT05ED-96-288-120	142	251	191	48"	96	288	120	1,920	207	22,000	15	11.46	N/A	N/A	0	No
SWT05ED-96-336-96	144	299	203	48"	96	336	96	1,792	207	22,000	15	11.16	N/A	N/A	0	No
SWT05ED-96-336-120	148	347	205	48"	96	336	120	2,240	234	26,000	15	11.61	N/A	N/A	0	No
SWT05ED-120-120-96	158	131	147	60"	120	120	96	800	108	9,000	7 1/2	11.25	N/A	N/A	0	No
SWT05ED-120-120-120	160	155	156	60"	120	120	120	1,000	135	12,000	7 1/2	12.00	N/A	N/A	0	No
SWT05ED-120-144-96	162	179	158	60"	120	144	96	960	135	12,000	7 1/2	12.5	N/A	N/A	0	No
SWT05ED-120-144-120	160	131	182	60"	120	144	120	1,200	144	14,000	10	11.67	N/A	N/A	0	No
SWT05ED-120-168-96	162	155	182	60"	120	168	96	1,120	144	14,000	10	12.5	N/A	N/A	0	No
SWT05ED-120-168-120	164	179	189	60"	120	168	120	1,400	162	16,000	10	11.43	N/A	N/A	0	No
SWT05ED-120-192-96	164	203	163	60"	120	192	96	1,280	153	16,000	10	12.5	N/A	N/A	0	No
SWT05ED-120-192-120	166	251	165	60"	120	192	120	1,600	180	18,000	15	11.25	N/A	N/A	0	No
SWT05ED-120-240-96	168	299	178	60"	120	240	96	1,600	180	18,000	15	11.25	N/A	N/A	0	No
SWT05ED-120-240-120	172	347	181	60"	120	240	120	2,000	207	24,000	15	12	N/A	N/A	0	No
SWT05ED-120-288-96	166	203	189	60"	120	288	96	1,920	207	22,000	15	11.46	N/A	N/A	0	No
SWT05ED-120-288-120	168	251	204	60"	120	288	120	2,400	234	28,000	15	11.67	N/A	N/A	0	No
SWT05ED-120-336-96	172	299	212	60"	120	336	96	2,240	234	26,000	15	11.61	N/A	N/A	0	No

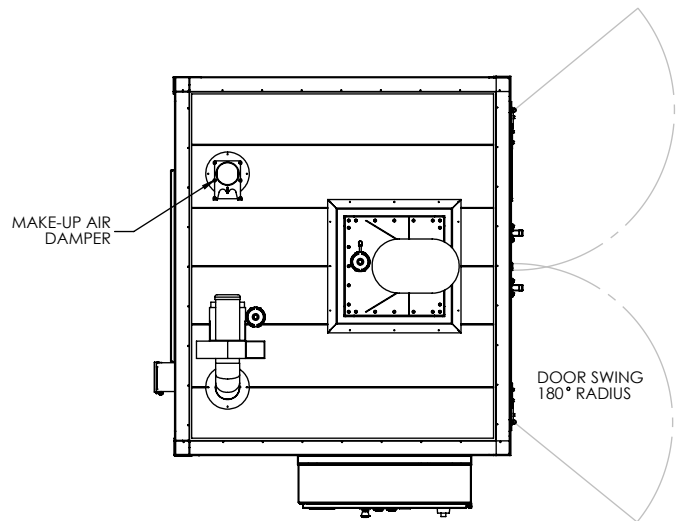
* Indicates Configuration Style #1. Refer to drawings on page 4 of 5

NOTE: Sizes are approximate. LEWCO, Inc. reserves the right to change specifications without notice.

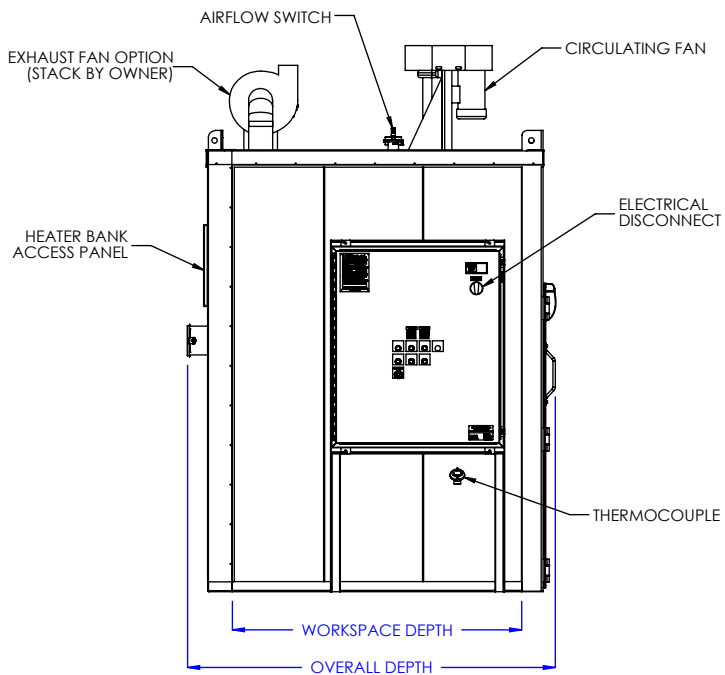
Model (NFPA Class A)	Overall Dimensions			Door Swing Radius	Workspace Dimensions			Workspace Volume (cubic ft.)	Heater Bank (kW)	Circulating Fan(s) (CFM)	Motor(s) (HP)	Air Changes per Minute	Exhaust Fan Capacity (CFM)	Exhaust Motor (HP)	Solvents per Batch (Gals.)	Ships Fully Assembled
	"W	"D	"H		"W	"D	"H									
SWT05ED-48-48-60	70	59	116	24"	48	48	60	80	45	1,000	1	12.50	62	1/4	0.05	Yes
SWT05ED-48-48-72	70	59	128	24"	48	48	72	96	45	1,400	1	14.58	62	1/4	0.05	Yes
SWT05ED-48-48-96	70	59	152	24"	48	48	96	128	54	1,700	1	13.28	62	1/4	0.05	Yes
SWT05ED-60-60-60	82	71	116	30"	60	60	60	125	45	1,400	1	11.20	62	1/4	0.05	Yes
SWT05ED-60-60-72	82	71	128	30"	60	60	72	150	54	1,700	1	11.33	62	1/4	0.05	Yes
SWT05ED-60-60-96	82	71	153	30"	60	60	96	200	63	2,500	2	12.50	62	1/4	0.05	Yes
SWT05ED-72-72-72	94	83	129	36"	72	72	72	216	63	2,500	2	11.57	62	1/4	0.05	Yes
SWT05ED-72-72-96	94	83	159	36"	72	72	96	288	72	3,500	3	12.15	62	1/4	0.05	Yes
SWT05ED-72-120-96	94	131	173	36"	72	120	96	480	99	5,500	3	11.46	100	1/4	0.08	No
SWT05ED-84-84-84	106	95	153	42"	84	84	84	343	90	4,000	3	11.66	100	1/4	0.08	No
SWT05ED-84-96-84	106	107	153	42"	84	96	84	392	90	4,500	3	11.48	100	1/4	0.08	No
SWT05ED-84-120-84	106	131	161	42"	84	120	84	490	135	5,500	3	11.22	250	1/4	0.21	No
SWT05ED-84-120-96	106	131	174	42"	84	120	96	560	135	7,000	5	12.50	250	1/4	0.21	No
SWT05ED-96-96-96	118	107	173	48"	96	96	96	512	135	6,000	3	11.72	250	1/4	0.21	No
SWT05ED-96-120-96	118	131	175	48"	96	120	96	640	144	8,000	5	12.50	250	1/4	0.21	No
SWT05ED-96-144-96	118	155	176	48"	96	144	96	768	153	9,000	7 1/2	11.72	250	1/4	0.21	No
SWT05ED-120-120-96	142	131	176	60"	120	120	96	800	162	9,000	7 1/2	11.25	250	1/4	0.21	No
SWT05ED-120-120-120	142	131	210	60"	120	120	120	1,000	171	12,000	7 1/2	12.00	250	1/4	0.21	No
SWT05ED-120-144-96	142	155	186	60"	120	144	96	960	171	12,000	7 1/2	12.50	250	1/4	0.21	No
SWT05ED-120-144-120	142	155	211	60"	120	144	120	1,200	189	14,000	10	11.67	250	1/4	0.21	No
SWT05ED-120-168-96	142	179	187	60"	120	168	96	1,120	180	14,000	10	12.50	250	1/4	0.21	No
SWT05ED-120-168-120	142	179	217	60"	120	168	120	1,400	207	16,000	10	11.43	500	1	0.42	No
SWT05ED-120-192-96	142	203	193	60"	120	192	96	1,280	198	16,000	10	12.50	500	1	0.42	No
SWT05ED-120-192-120	142	203	218	60"	120	192	120	1,600	234	18,000	15	11.25	1000	1 1/2	0.65	No
SWT05ED-120-240-96	142	251	194	60"	120	240	96	1,600	261	18,000	15	11.25	1000	1 1/2	0.65	No

* Indicates Configuration Style #1. Refer to drawings on page 4 of 5

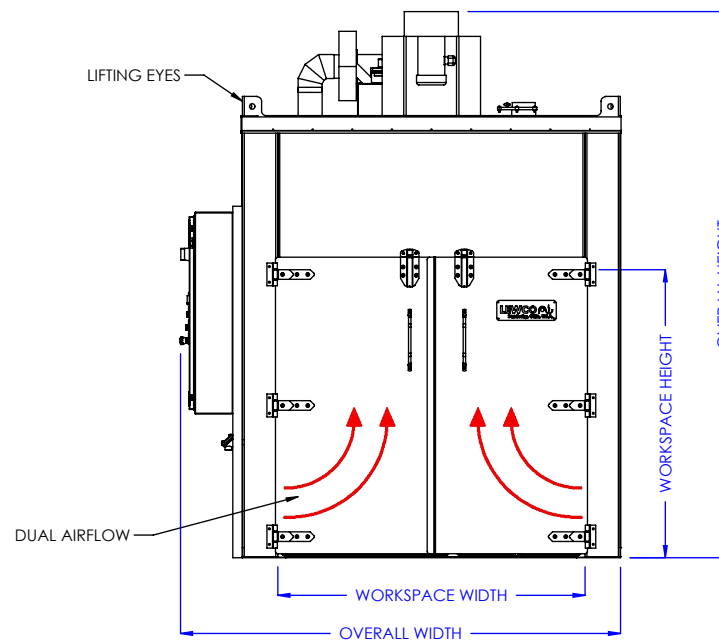
NOTE: Sizes are approximate. LEWCO, Inc. reserves the right to change specifications without notice.



PLAN VIEW



LEFT SIDE ELEVATION



FRONT ELEVATION

MODEL: SWT05ED

DESCRIPTION: NORMAL DUTY WALK-IN OVEN, TOP MOUNT HEATER, 500°F, ELECTRIC, DUAL AIRFLOW

WARNING: OVENS PROCESSING FLAMMABLE VOLATILES OR COMBUSTIBLE MATERIALS ARE CLASSIFIED BY NFPA 86 AS "CLASS A" OVENS AND REQUIRE SPECIFIC SAFETY FEATURES. KNOW THE PROPERTIES OF THE MATERIALS BEING HEATED. EXPLOSION OR FIRE MAY RESULT FROM MISAPPLICATION.

LEWCO, INC. IS COMMITTED TO CONTINUOUS IMPROVEMENT AND RESERVES THE RIGHT TO CHANGE DESIGNS AND SPECIFICATIONS WITHOUT NOTICE.

THIS DRAWING MUST NOT BE COPIED, REPRODUCED OR USED FOR ANY PURPOSE WITHOUT THE WRITTEN CONSENT OF LEWCO, INC. ALL RIGHTS RESERVED.

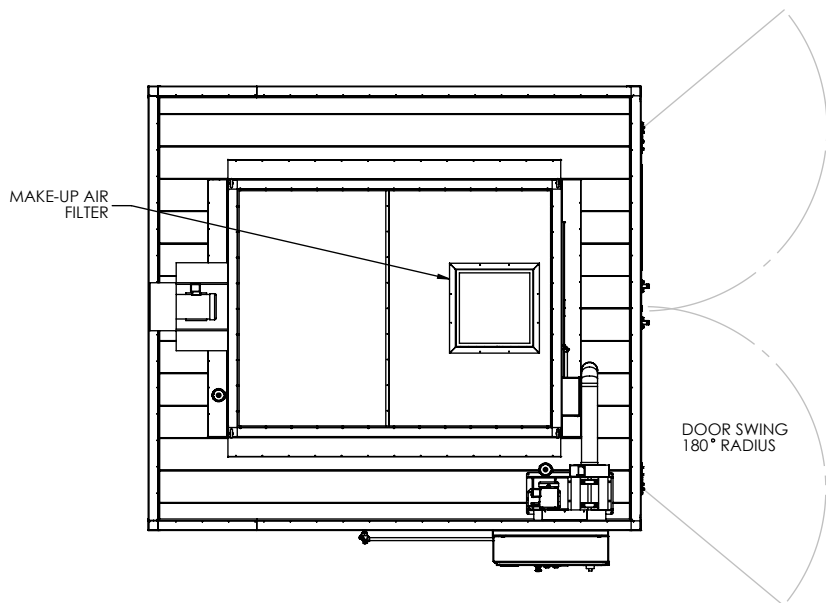
DATE: 7/5/2017

REV. 001

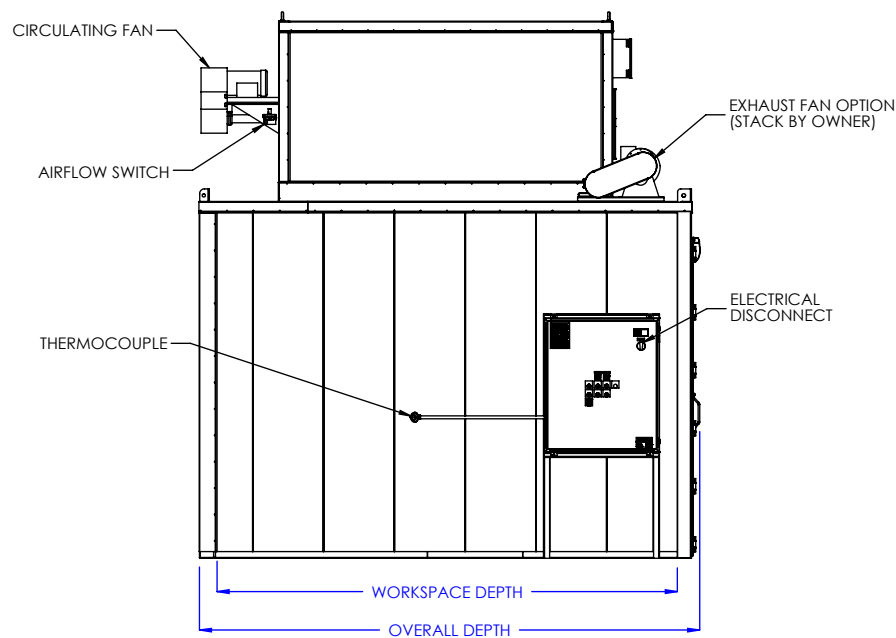
PAGE: 4 of 5



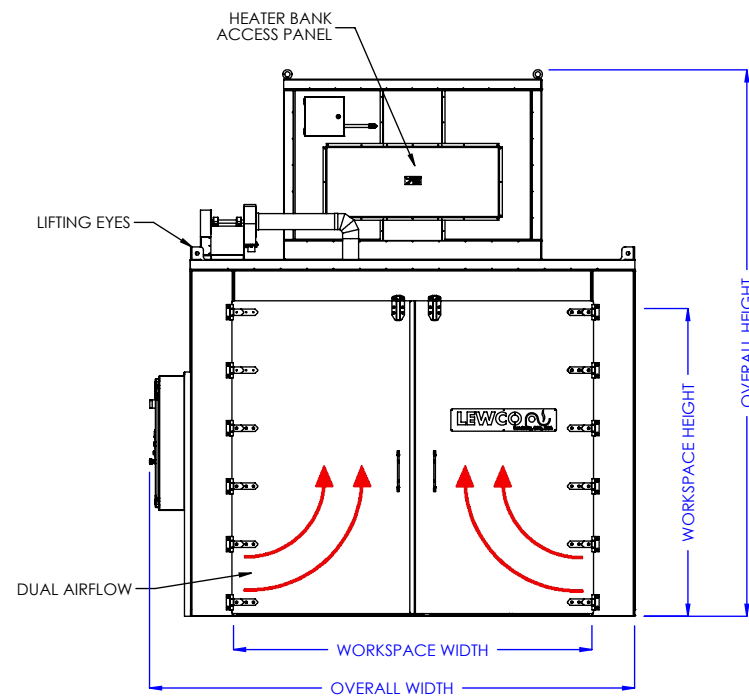
706 LANE ST. SANDUSKY, OH 44870, U.S.A.



PLAN VIEW



LEFT SIDE ELEVATION



FRONT ELEVATION

MODEL: SWT05ED

DESCRIPTION: NORMAL DUTY WALK-IN OVEN, TOP MOUNT HEATER, 500°F, ELECTRIC, DUAL AIRFLOW

WARNING: OVENS PROCESSING FLAMMABLE VOLATILES OR COMBUSTIBLE MATERIALS ARE CLASSIFIED BY NFPA 86 AS "CLASS A" OVENS AND REQUIRE SPECIFIC SAFETY FEATURES. KNOW THE PROPERTIES OF THE MATERIALS BEING HEATED. EXPLOSION OR FIRE MAY RESULT FROM MISAPPLICATION.

LEWCO, INC. IS COMMITTED TO CONTINUOUS IMPROVEMENT AND RESERVES THE RIGHT TO CHANGE DESIGNS AND SPECIFICATIONS WITHOUT NOTICE.

THIS DRAWING MUST NOT BE COPIED, REPRODUCED OR USED FOR ANY PURPOSE WITHOUT THE WRITTEN CONSENT OF LEWCO, INC. ALL RIGHTS RESERVED.

DATE: 7/5/2017

REV. 001

PAGE: 5 of 5