



**Multi-Level**

Model: SC4TV

### (4) Tote Hot Box, Steam

LEWCO's tote heating product line offers standard cost-effective solutions for melting, viscosity reduction, elevated temperature storage and general industrial heating applications. The Multi-Level design features an insulated base with spill containment sump. All models feature our signature heavy-duty welded construction and simple, user-friendly controls. Please consult factory for non-standard safety features required for compliance with NFPA 86.

#### Capacity

- (4) totes/ IBC tanks
- 4,000 lbs. per tote

#### Operating Temperature

- 125°F - 300°F  
Note: Maximum achievable temperature is dependent on steam pressure.
- Consult factory for applications below 125°F

#### Construction/ Features

- Welded, 1/8" steel shell
- Optional: Stainless steel
- Insulation: 3" x 6# mineral wool
- Heavy duty doors with strap hinges, 3-point latch system, and high-temperature silicone rubber gaskets create a tight seal for efficient heating.
- Interior door release for safety

#### Spill Containment

- 96 gallon capacity
- Sump drain 1" NPT

#### Heat Source & Capacity

- Saturated Steam, 20-200 PSIG
- Optional: Hot oil & hot water
- All heat exchangers are welded by A.S.M.E. certified welders and then hydro-tested at 300 PSIG
- Standard: 168 sq. ft.
- Optional: 336 sq. ft.

#### Control Options

- No Controls
- Non-electronic, self-acting temperature controller, limited to 150 psig, available in the following ranges:
  - 125°-212°F, 1/2" valve
  - 158°-300°F, 1/2" valve
- Single set-point temperature controller and redundant high-limit controller.
  - NEMA 12 enclosure with full voltage lockable disconnect switch.
  - Controls are wired to NFPA 70 and 79 electrical standards.
  - Electronic Control Options:
    - Batch Timer
    - Data Logger
    - Door Switch
    - NEMA 7 explosion-proof electrical

#### Finish

- Blue or gray alkyd enamel
- Optional: Premium finish for corrosive environments.

#### Electrical Requirements

- Voltage: 480/3/60
- Disconnect: 30 amps
- Other voltages available
- Depending on options, power may not be required.

#### Shipping & Installation

- Ships completely assembled for easy installation.
- Shipping weight: 6,500 lbs.
- Suitable for indoor or outdoor use.

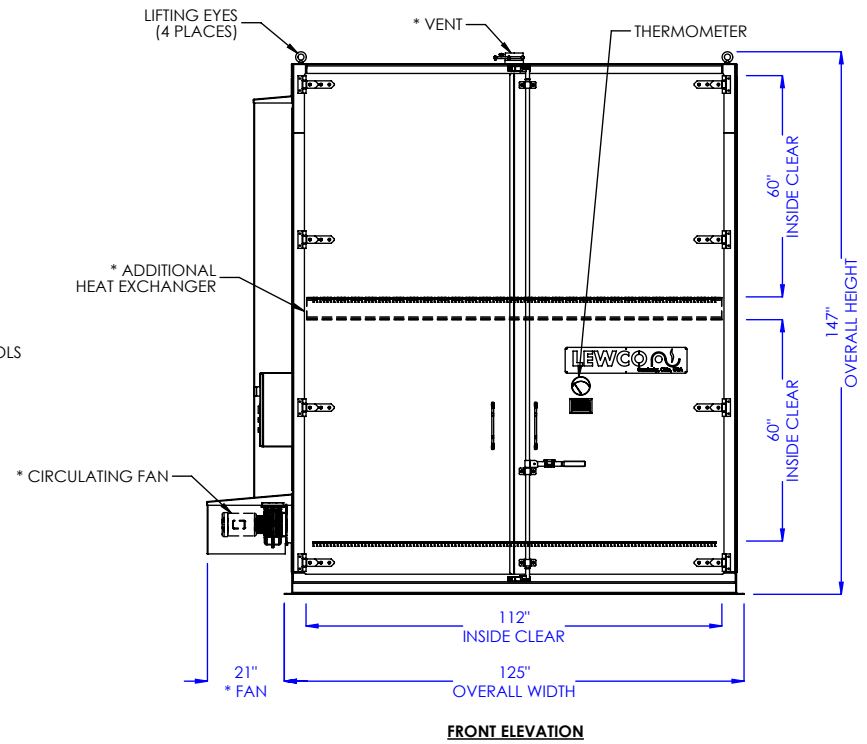
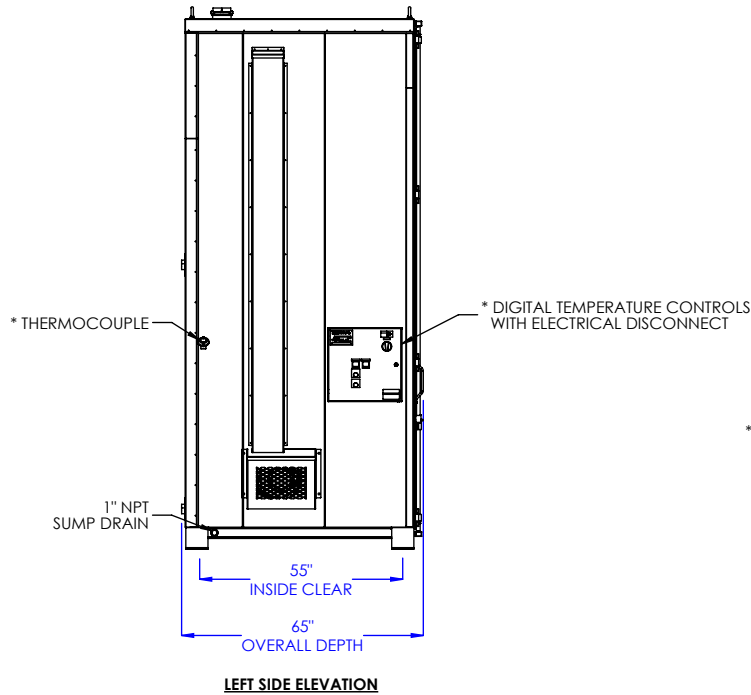
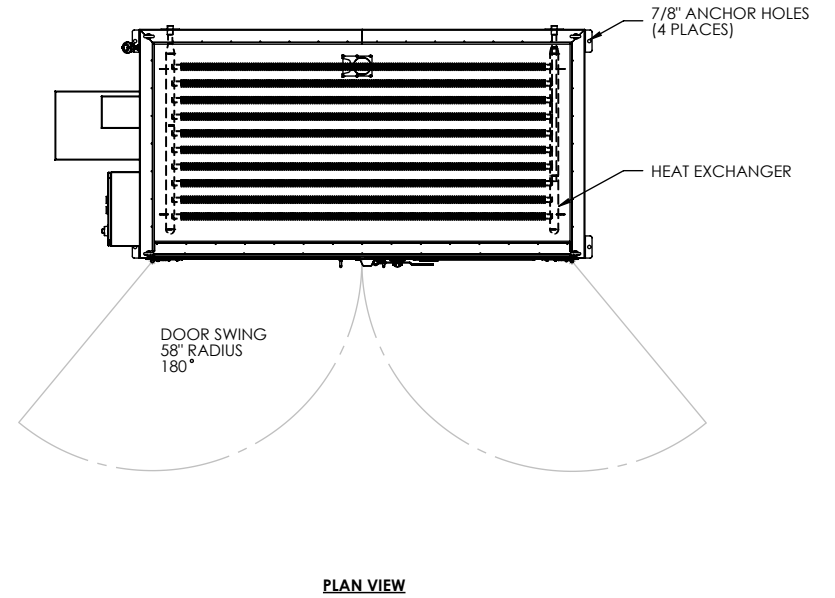
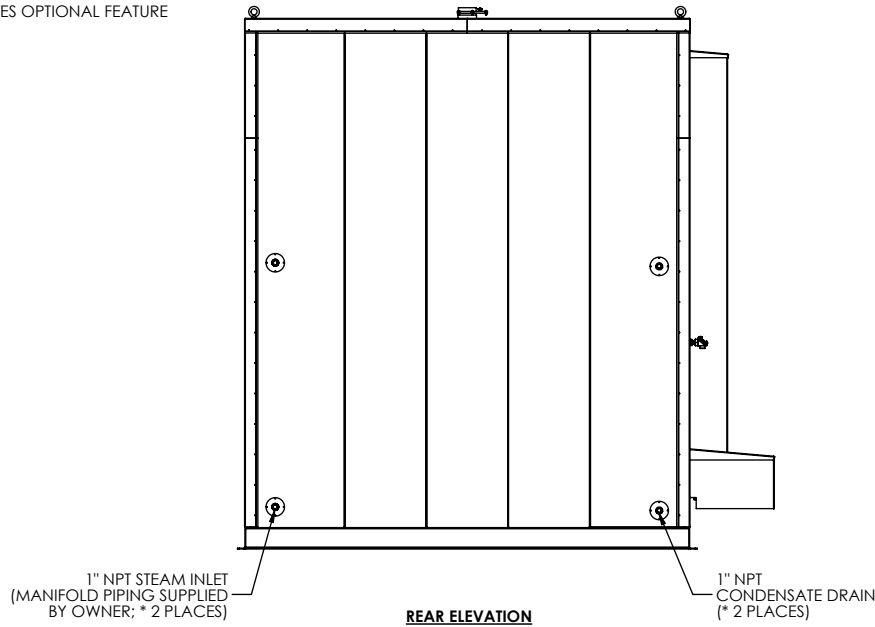
#### Additional Options

- Circulating Fan: 1,048 CFM, TEFC or explosion-proof motor with motor starter
- Steam Trap(s)
- 5" exhaust vent with damper
- Outdoor Service Package: unique sloped roof, premium finish, door trim, and NEMA 3 enclosure.
- UL or CSA Certification
- Custom sizes and features available. Please consult a LEWCO Applications Engineer for more information.

#### Quality Assurance

- Each unit comes complete with a (3) year warranty and is fully assembled, wired, and tested prior to shipment.

\* INDICATES OPTIONAL FEATURE



MODEL: SC4TV

DESCRIPTION: STEAM/ THERMAL FLUID HEATING CABINET, 4 TOTE, MULTI-LEVEL

LEWCO, INC. IS COMMITTED TO CONTINUOUS IMPROVEMENT AND RESERVES THE RIGHT TO CHANGE DESIGNS AND SPECIFICATIONS WITHOUT NOTICE.

DATE: 9/22/2016

REV. 001

PAGE: 1 of 1

**LEWCO**

706 LANE ST. SANDUSKY, OH 44870, U.S.A.